


## VRF SMMSu R410a: MMY - MUP2001HT8P-E

### STAND ALONE

- Single module from 8 to 24HP.
- Operating conditions from -25°C to +52°C.
- Up to 128 indoor units connected per system.
- New A3 twin rotary compressor and a totally redesigned chassis.
- Up to 500m total piping length with 100m from outdoor to the farthest indoor unit.



Hi - Res Image 

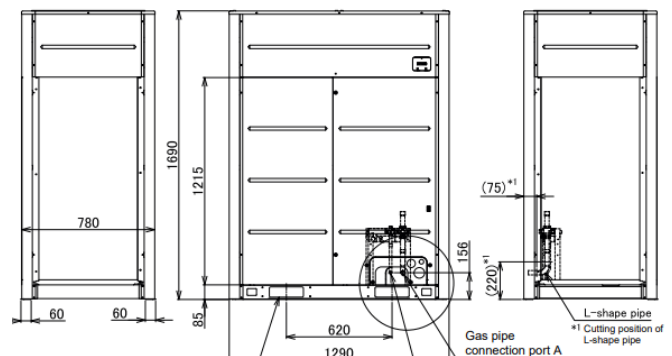
### Performance & Outdoor Data

Capacity Range		HP	20
Maximum Number of Indoor Units		QTY	45
Cooling Capacity		kW	56.0
Heating Capacity		kW	56.0
Operating Range	Cooling	°C	-10.0 to 52.0
	Heating		-25.0 to 15.5
Cooling	Power Consumption	kW	18.01
	EER/SEER/Energy Efficiency Class (or nsc %)		3.11/7.62/301.8
Heating	Power Consumption	kW	14.93
	COP/SCOP/Energy Efficiency Class (or nsc(A) %)		3.75/4.43/174.2
Fan(s)	Standard Air Flow H	l/s	4417
	Standard Air Flow H	m <sup>3</sup> /h	15900
	External Static Pressure	Pa	80
Sound	Pressure Level C/H	dB(A)	63/67
	Power Level C/H	dB(A)	86/90
Unit(s)	Height x Width x Depth	mm	1690 x 1290 x 780
	Weight	kg	334
Pipe Connections	Refrigerant Base Charge	kg	9
	Suction Gas Pipe Brazing	inch	1 1/8
	Liquid Pipe Flare	inch	5/8
	Equivalent Length	m	210
	Real Length	m	170
	Total Pipe Length (Liquid Line Real Length)	m	500
	Length To First Branch	m	100
	Equivalent Length Of Outdoor Unit Connecting Pipe	m	10
Maximum	Real Length Of Indoor Unit Connecting Piping	m	30
	Equivalent Length Between Branches	m	50
	Height Difference Outdoor Higher Than Indoor Units	m	70 (110*)
	Height Difference Outdoor Lower Than Indoor Units	m	40 (110*)
	Height Difference Between Indoor Units	m	40
	Height Difference Between Outdoor Units	m	5
Electrical	Voltage Range Minimum/Maximum	V	342/456
	Electrical Characteristic Running Current Cooling/Heating	A	27.70/22.90
	Power Supply Wiring Starting Current	A	Soft Start
	Power Supply	V/ph/Hz	380-415/3/50
	Suggested Fused Supply(s)	A	40

\*All [Accessories](#) / [Controls](#)

Related items:

- [Full specification](#)
- [BIM files](#)
- [CAD files](#)
- [Refrigerant cycle](#)
- [Dimensional drawing](#)
- [Wiring diagram](#)
- [Noise curve data](#)
- [Installation manual](#)



## Cool Designs Ltd

Raising the Standards in Air Conditioning Distribution