

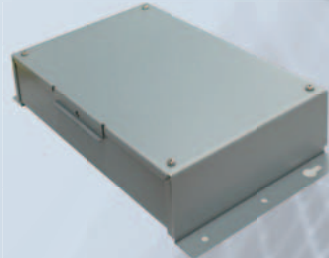
New Products Release !

Optional parts

Network Converter



DC power supply type
UTY-VTGX



AC power supply type
UTY-VTGXV

Network Convertors offer total solutions for multiple air-conditioning systems control.

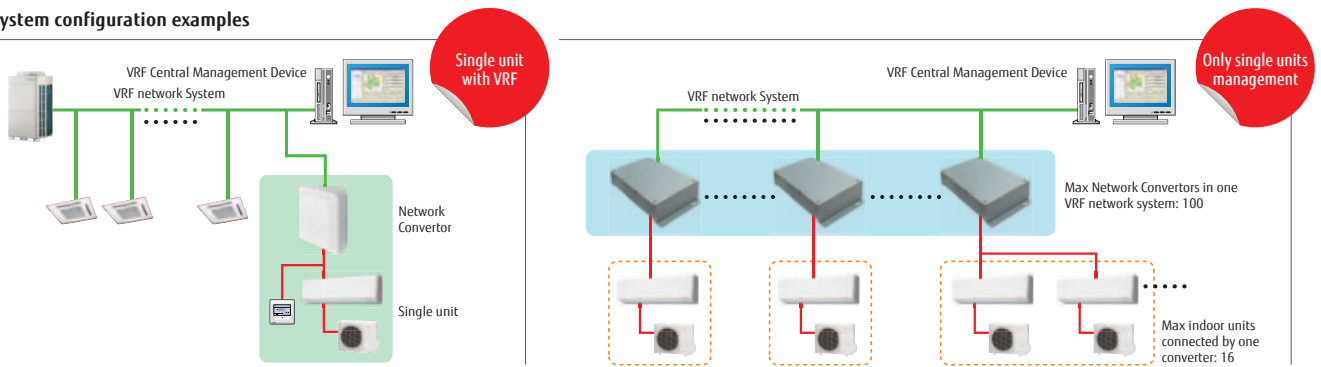
Feature



Solutions for multiple air-conditioning systems

The converters are required when connecting single units to VRF network system. Administrator can do total management including single units with VRF controller.

System configuration examples

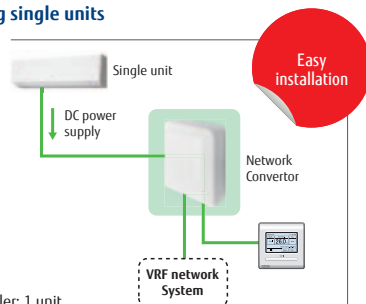


Solutions for power wiring and 2 wired remote controllers connectable method

The converters can be set depending on installation condition.

CASE1: When connecting existing single units

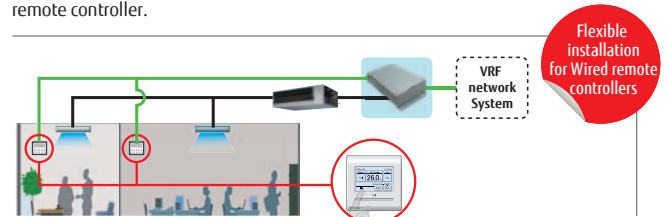
DC power supply type* can be powered by indoor unit. No power supply construction for converter.



* Max connectable wired remote controller: 1 unit

CASE2: When using 2 wired remote controllers in 1 indoor unit

AC power type can be connected 1 indoor unit to 2 wired remote controllers. AC power type offers for operating in separated rooms by each wired remote controller.



Solutions for operations and monitoring

The following functions can be done with central management device and wired remote controller.

Model name	UTY-VTGX / UTY-VTGXV			
	polar 3-wire		non-polar 2-wire	
Single units connection wired type				
Control unit	Central management device	Wired remote controller	Central management device	Wired remote controller
Start/Stop	■	■	■	■
Temperature control	■ (Setpoint range by 1.0°C (20°F))	■ (Setpoint range by 1.0°C (20°F))	■ (Setpoint range by 0.5°C (1.0°C))	■ (Setpoint range by 0.5°C (1.0°C))
Operation mode	■	■	■	■
Up/down air direction flap setting	—	■	■	■
Right/left air direction flap setting	—	■	■	■
Fan control	■	■	■	■
Lock the remote controller function	■*	■*	■*	■*
Monitoring errors	■*	■	■*	■

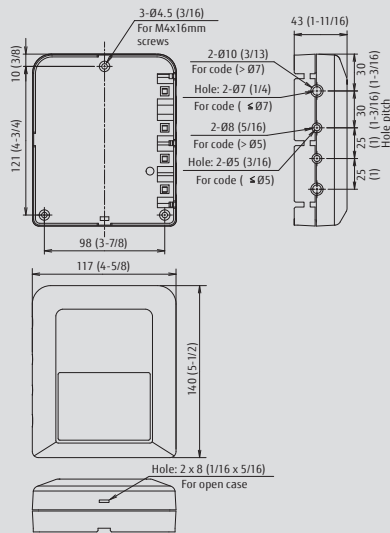
*content restrictions

Central management device means System controller, Touch panel controller, Central remote controller, Group remote controller etc.

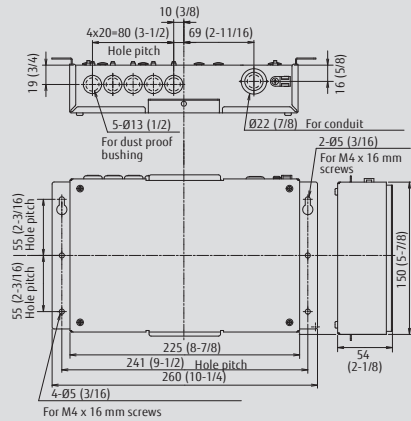
Dimensions

Unit:mm(in.)

DC power supply type : UTY-VTGX



AC power supply type : UTY-VTGXV



Specifications

(TENTATIVE)

Model name	UTY-VTGX		UTY-VTGXV	
	polar 3-wire	non-polar 2-wire	50/60Hz	60Hz
Power supply	DC12V	DC12V	AC220/240V	AC208/230V
Input Power	Max. 2		Max. 3	
Temperature	Operating	0-46 (32~115)		
	Packaged	-10-60 (14~140)		
Humidity	Operating	0-95		
	Packaged	0-95		
Dimensions (H × W × D)	117(4-5/8) × 140(5-1/2) × 40(1-9/16)		235(9-1/4) × 120(4-3/4) × 45(1-3/4)	
Weight	230 (8)		960 (34)	
Max. Network converters in one VRF systemo			100	
Max. single units in one convertoro			16	
Max. remote controllers in one convertoro	1		2	

*AIRSTAGE™ are worldwide trademarks of FUJITSU GENERAL LIMITED and are registered trademarks in Japan and other countries or areas.
 • Other company and product names mentioned herein may be registered trademarks, trademarks or trade names of their respective owners.

•Specifications and design are subject to change without notice for further improvement.
 •Actual products' colors may be different from the colors shown in this printed material.

Distributed by :



FUJITSU GENERAL LIMITED

3-3-17, Suenaga, Takatsu-ku, Kawasaki 213-8502, Japan

<http://www.fujitsu-general.com/>