

ARXG36KHTAP

Please visit our webstore for full product and technical documentation

Unit Type	Medium Static Ducted	
Remote Controller	Option	
Nominal Cooling Capacity (kW)	9.5	
Nominal Heating Capacity (kW)	10.8	
Height (mm)	300	
Width (mm)	1400	
Depth (mm)	700	
Weight (kg)	46	
Filter	UTDLFNA	
Standard Static Pressure (Pa)	47	
Static Pressure Ranget (Pa)	30 to 200	
Airflow Rate - Cooling - High (m3/h)	2050	
Airflow Rate - Heating - High (m3/h)	1850	
Sound Pressure Level - Cooling - High (dB(A))	36	
Sound Pressure Level - Cooling - Low (dB(A))	26	
Sound Pressure Level - Heating - High (dB(A))	33	
Sound Pressure Level - Heating - Low (dB(A))	26	
Sound Power Level - Cooling - High (dB(A))	64	
Sound Power Level - Heating - High (dB(A))	63	
Moisture Removal (l/h)	2	
Refrigerant Type (Global Warming Potential)	R32 (675)	
Liquid Pipe Size	3/8"	
Gas Pipe Size	5/8"	
Unit Power Supply	From Outdoor Unit	

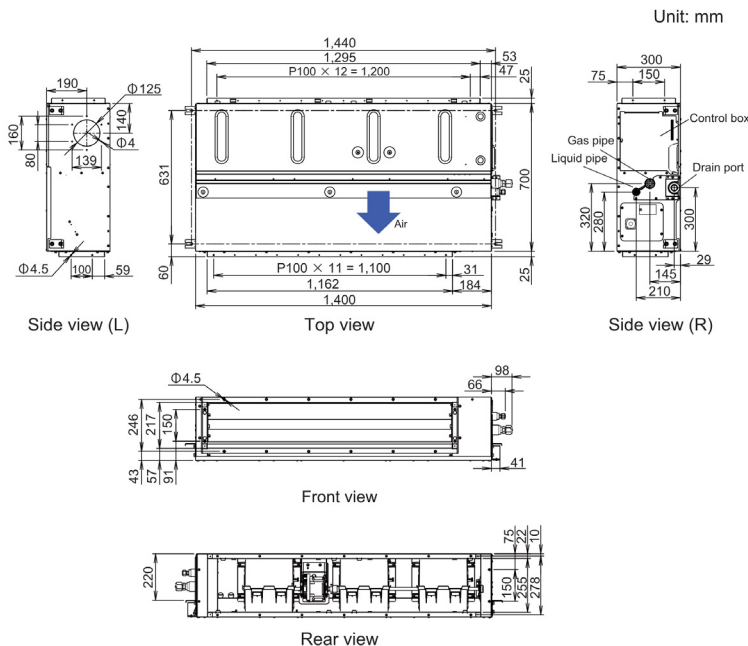


Document Downloads

- [Airflow - Fan Curve](#)
- [Controls & Accessories](#)
- [Dimensional Drawing](#)
- [Function Settings](#)
- [Inputs & Outputs](#)
- [Installation Manual](#)
- [Noise Curve](#)
- [Operation Manual](#)
- [Product Image](#)
- [Spare Parts List All Pages](#)
- [Specifications](#)
- [Wiring Diagram](#)

Related Items

- [AOYG36KBTB](#) 9.5kW Standard Outdoor Unit - R32 Single Phase
- [AOYG36KRTA](#) 9.5kW Standard Outdoor Unit - R32 Three Phase
- [UTYRNRZY5](#) Touch Screen Remote Controller
- [UTYFCSXZ1](#) Wireless LAN interface
- [UTDLFNA](#) Long Life Filter Kit
- [UTYRCRYZ1](#) Compact Simple Remote controller
- [UTYRVNYM](#) LCD Wired Remote Controller
- [UTYRHRV](#) Simple Remote Controller (without Master Control)
- [UTYRSRY](#) Simple Remote Controller (with Master Control)
- [UTYRSNYM](#) Simplified Wired Remote Controller
- [UTYXCSX](#) External Input / Output PCB
- [UTYXWZXZG](#) External Connect Kit
- [UTZGXNA](#) External Input / Output PCB Bracket
- [UTYTERX](#) External switch controller
- [UTYXSZX](#) Remote Sensor Unit (for All Duct type)
- [FJRCWIFI1](#) IntesisHome Wireless LAN Adapter for Splits & VRF
- [UTYLBTYM](#) Infra-Red Receiver Kit, Receiver Wire -9710358012
- [UTYVTGX](#) Splits Network Converter (DC Powered)
- [UTYVTGXV](#) Splits Network Converter (AC Powered)



*Specifications and design are subject to change without notice for further improvement.
 *Actual products' colors may be different from the colors shown in this printed material.

Distributed by :

FUJITSU GENERAL AIR CONDITIONING (UK) LIMITED
 Unit 150, Centennial Park, Centennial Avenue, Elstree, Borehamwood, Herts, WD6 3SG

www.fujitsu-general.com/uk

sales@fgac.fujitsu-general.com

Tel: +44 (0) 208 731 3450 Fax: +44 (0) 208 731 3451