

## Toshiba Air Conditioning Data Sheet

### SHRM Advance Wall Mounted Haori MMK-UP0051DHPL-E

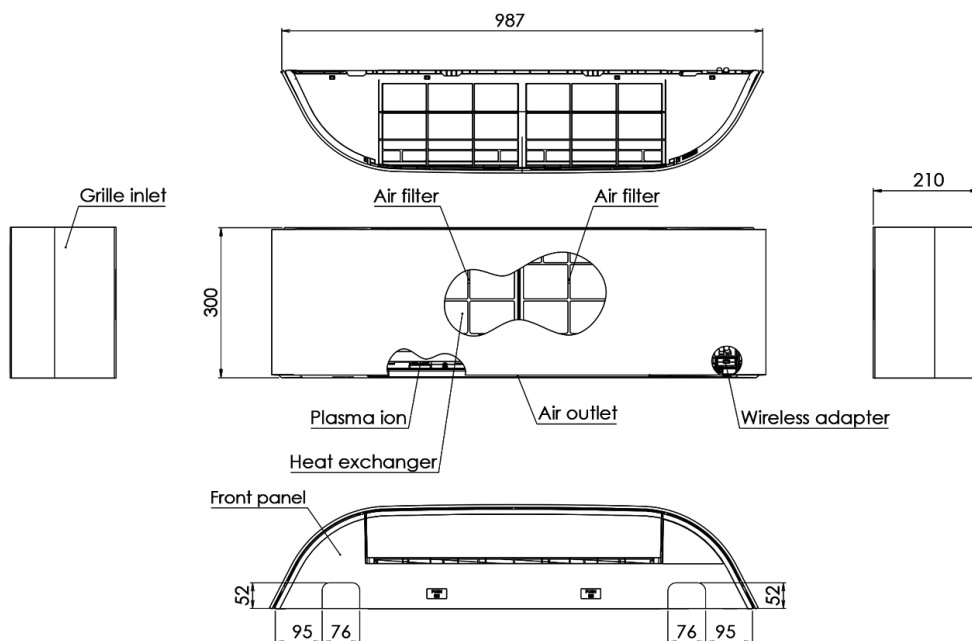
#### Features

- Pleasing aesthetic design including luxury style Remote Controller
- Air Purifier Function – Plasma ioniser and ultra-pure Filter
- Left and right louver can be controlled using the Wireless Remote Controller
- Includes 2 decorative Fabrics and is compatible with current Haori fabric options
- R32 Refrigerant
- Suitable for noise sensitive areas utilizing the remote PMV kit for refrigerant control



Outdoor Unit		MMK-UP0051DHPL-E	
Capacity		HP	0.6
Cooling	Nominal Cooling Capacity	kW	1.7
	Power Consumption	kW	0.015
	Running Current	A	0.17
	Starting Current	A	0.22
Heating	Nominal Heating Capacity	kW	1.9
	Power Consumption	kW	0.015
	Running Current	A	0.17
	Starting Current	A	0.22
Air Flow	h/m/l	m3/h	455/370/300
	h/m/l	l/s	126/103/83
Sound	Pressure h-l	dB(A)	33/31/29/27/25
Unit	Height x Width x Depth	mm	300x987x210
	Weight	kg	11
Pipe connections		inch	3/8 - 1/4
Drain Port connection		mm	16
Electrical	Power supply	V/ph/Hz	220/240-1-50

The electrical installation needs to meet current UK electrical regulations BS7671:2018+A2:2022 the 18th Edition of the IET regulations. Fuse sizes shown are for guidance only, cables and protective devices should be calculated using the MCA/MOCP details provided



Contact us for full details at  
sales@cooldesignsstd.co.uk  
or visit [www.cdtweb.info](http://www.cdtweb.info)



Raising the standards in Air Conditioning Distribution

Gateshead  
0191 5496964

Warrington  
01925 820000

Glasgow  
01355 234776