

Toshiba Air Conditioning Data Sheet

MMD-UP0561HP-E
VRF HIGH STATIC DUCTED



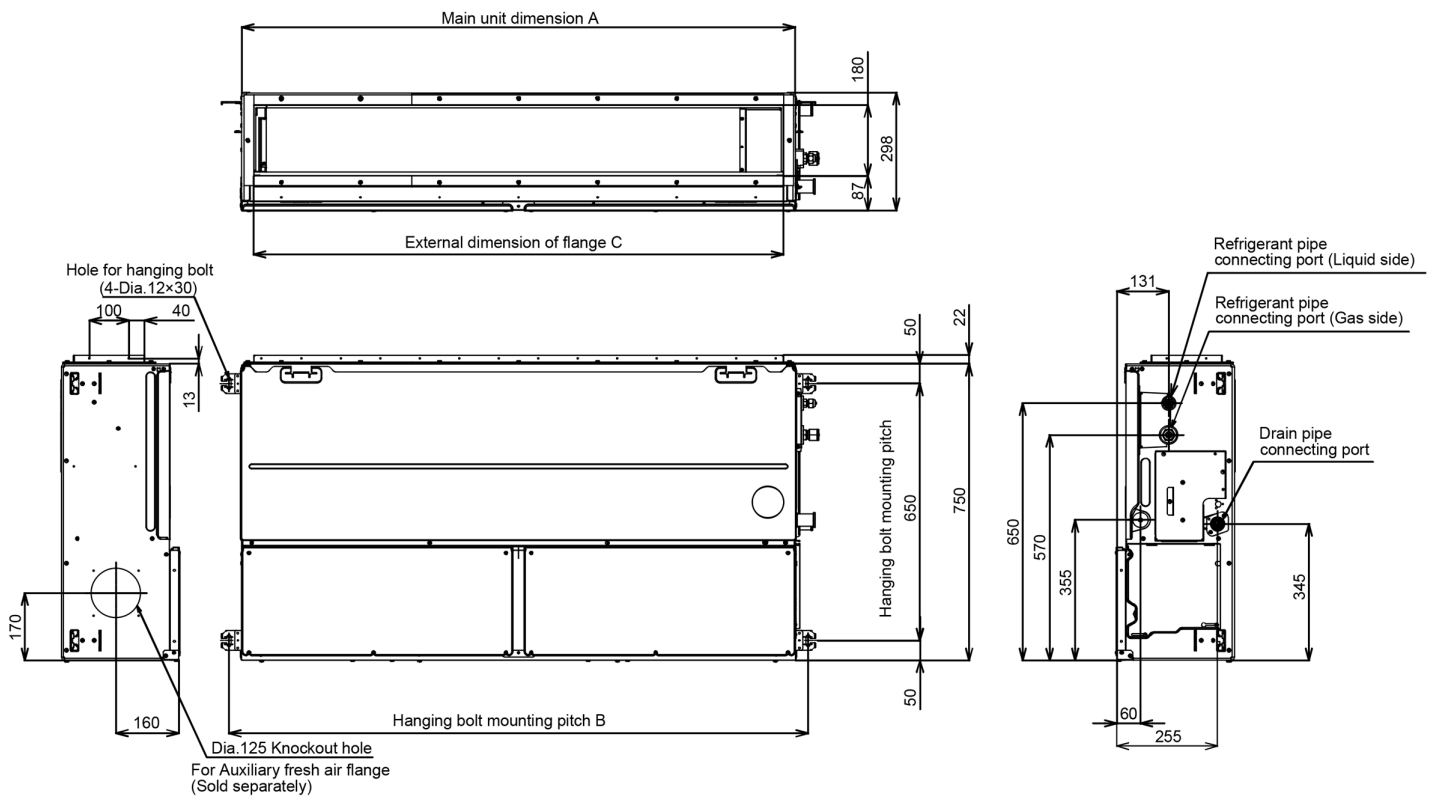
| Model Reference | | MMD-UP0561HP-E | |
|--------------------------|----------------------------------|-------------------|--------------------|
| Capacity Code | | HP | 6.0 |
| Nominal | Cooling Capacity | kW | 16.0 |
| | Heating Capacity | kW | 18.0 |
| UK | Cooling Total/Sensible | kW | 14.5/10.6 |
| | Heating | kW | 12.2 |
| Electrical | Power Input | kW | 0.400 |
| | Run Current | Amps | 2.48 |
| | Start Current | Amps | 3.08 |
| Air Flow | High - Medium - Low | l/s | 767 - 650 - 533 |
| | High - Medium - Low | m ³ /h | 2760 - 2340 - 1920 |
| External Static Pressure | Standard | Pa | 100 |
| | Maximum | Pa | 200 |
| Sound | Pressure High - Medium - Low | dB(A) | 46 - 44 - 41 |
| | Power High - Medium - Low | dB(A) | 61 - 59 - 56 |
| Unit | Height x Width x Depth | mm | 298 x 1400 x 750 |
| | Weight | kg | 43 |
| Pipe Connection | Flare Connections (gas - liquid) | inch | 5/8 - 3/8 |
| | Drain Pipe Connection OD/ID | mm | 32/25 |
| Power Supply | Suggested Fuse Size | V/ph/Hz-A | 220-240/1/50-10 |

TOSHIBA

- Ultra-flexible, invisible and silent unit
- Diffuser design flexibility
- Unobtrusive, flexible and compact
- Static pressure can be set to 7 levels from 50 to 250Pa
- Long-life filter and air discharge spigot available
- Built-in high-lift drain pump (sizes 18 to 56)

External dimensions

(Unit: mm)



▼ Dimension

| Model MMD- | A | B | C |
|-------------|------|------|------|
| UP018~UP027 | 1000 | 1065 | 940 |
| UP036~UP056 | 1400 | 1465 | 1340 |