

Toshiba Air Conditioning Data Sheet

MMD-UP0181HP-E
VRF HIGH STATIC DUCTED



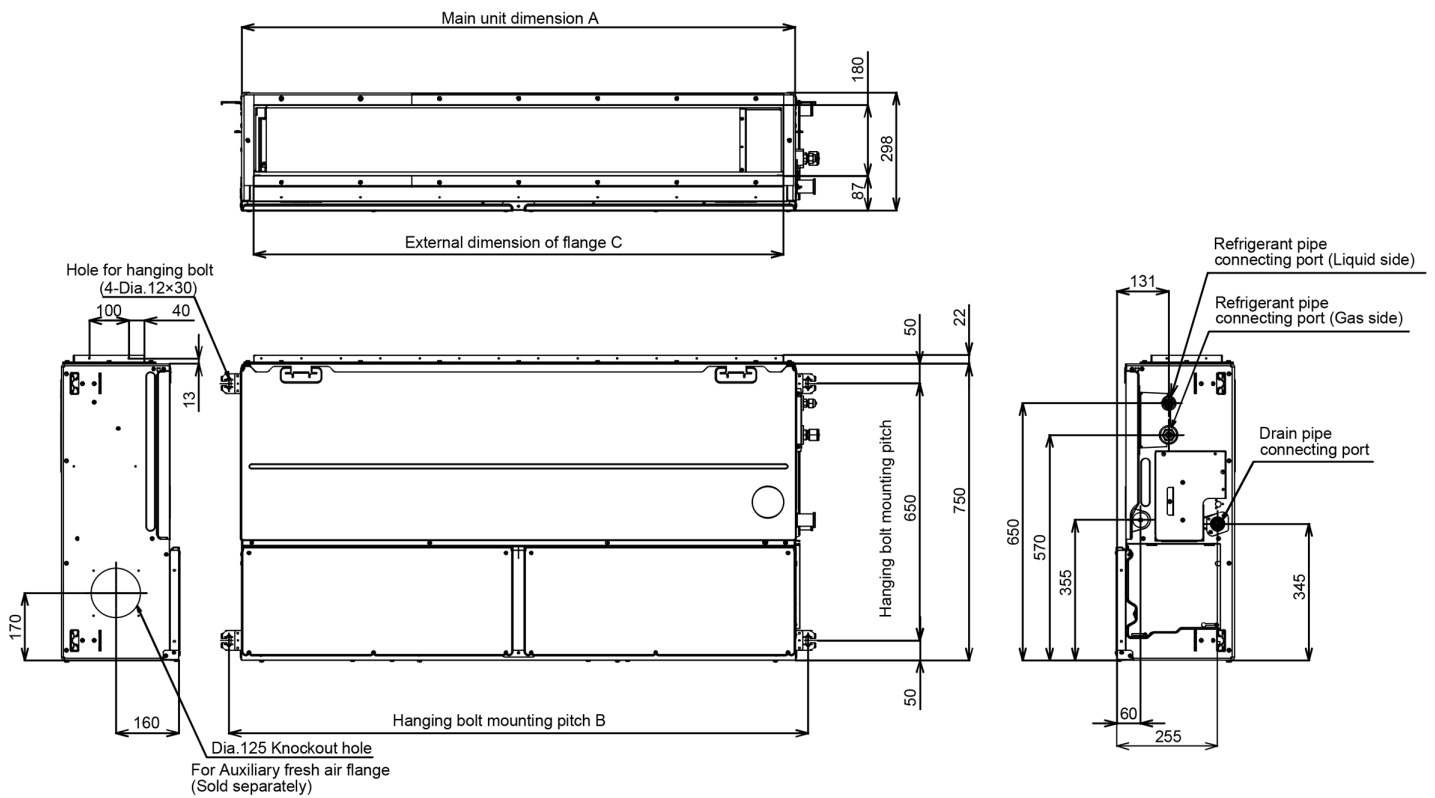
| Model Reference | | MMD-UP0181HP-E | |
|--------------------------|----------------------------------|-------------------|------------------|
| Capacity Code | | HP | 2.0 |
| Nominal | Cooling Capacity | kW | 5.6 |
| | Heating Capacity | kW | 6.3 |
| UK | Cooling Total/Sensible | kW | 5.1/3.7 |
| | Heating | kW | 4.3 |
| Electrical | Power Input | kW | 0.125 |
| | Run Current | Amps | 0.82 |
| | Start Current | Amps | 1.12 |
| Air Flow | High - Medium - Low | l/s | 306 - 275 - 250 |
| | High - Medium - Low | m ³ /h | 1100 - 990 - 900 |
| External Static Pressure | Standard | Pa | 100 |
| | Maximum | Pa | 200 |
| Sound | Pressure High - Medium - Low | dB(A) | 37 - 33 - 31 |
| | Power High - Medium - Low | dB(A) | 52 - 48 - 46 |
| Unit | Height x Width x Depth | mm | 298 x 1000 x 750 |
| | Weight | kg | 34 |
| Pipe Connection | Flare Connections (gas - liquid) | inch | 1/2 - 1/4 |
| | Drain Pipe Connection OD/ID | mm | 32/25 |
| Power Supply | Suggested Fuse Size | V/ph/Hz-A | 220-240/1/50-10 |

TOSHIBA

- Ultra-flexible, invisible and silent unit
- Diffuser design flexibility
- Unobtrusive, flexible and compact
- Static pressure can be set to 7 levels from 50 to 250Pa
- Long-life filter and air discharge spigot available
- Built-in high-lift drain pump (sizes 18 to 56)

External dimensions

(Unit: mm)



▼ Dimension

| Model MMD- | A | B | C |
|-------------|------|------|------|
| UP018~UP027 | 1000 | 1065 | 940 |
| UP036~UP056 | 1400 | 1465 | 1340 |