

Toshiba Air Conditioning Data Sheet

MMD-UP0271HP-E
VRF HIGH STATIC DUCTED



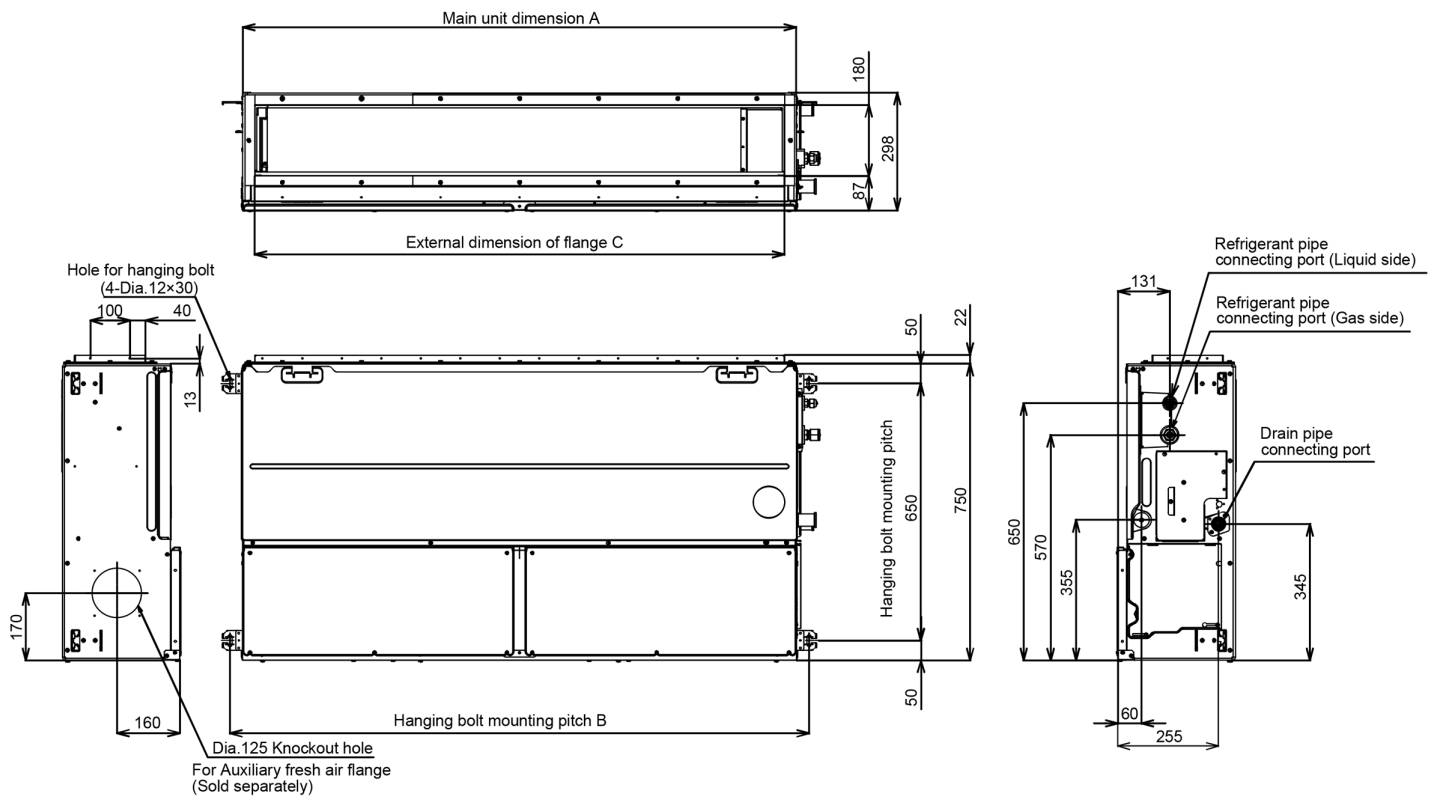
| Model Reference | MMD-UP0271HP-E | | |
|--------------------------|----------------------------------|-------------------|--------------------|
| Capacity Code | Cooling Capacity | HP | 3.0 |
| Nominal | Heating Capacity | kW | 8.0 |
| | Cooling Total/Sensible | kW | 9.0 |
| UK | Heating | kW | 7.3/5.5 |
| | Power Input | kW | 6.1 |
| Electrical | Power Input | kW | 0.190 |
| | Run Current | Amps | 1.16 |
| | Start Current | Amps | 1.46 |
| Air Flow | High - Medium - Low | l/s | 417 - 375 - 333 |
| | High - Medium - Low | m ³ /h | 1500 - 1350 - 1200 |
| External Static Pressure | Standard | Pa | 100 |
| | Maximum | Pa | 200 |
| Sound | Pressure High - Medium - Low | dB(A) | 43 - 41 - 38 |
| | Power High - Medium - Low | dB(A) | 58 - 56 - 53 |
| Unit | Height x Width x Depth | mm | 298 x 1000 x 750 |
| | Weight | kg | 34 |
| Pipe Connection | Flare Connections (gas - liquid) | inch | 5/8 - 3/8 |
| | Drain Pipe Connection OD/ID | mm | 32/25 |
| Power Supply | Suggested Fuse Size | V/ph/Hz-A | 220-240/1/50-10 |

TOSHIBA

- Ultra-flexible, invisible and silent unit
- Diffuser design flexibility
- Unobtrusive, flexible and compact
- Static pressure can be set to 7 levels from 50 to 250Pa
- Long-life filter and air discharge spigot available
- Built-in high-lift drain pump (sizes 18 to 56)

External dimensions

(Unit: mm)



▼ Dimension

| Model MMD- | A | B | C |
|-------------|------|------|------|
| UP018~UP027 | 1000 | 1065 | 940 |
| UP036~UP056 | 1400 | 1465 | 1340 |