

Toshiba Air Conditioning Data Sheet

1101HW-E & 1101XWH**W-E
R32 Estia Air to Water Heat Pump



Outdoor Model Reference				1101HW-E	
Indoor Model Reference		Air T°	Water T°	1101XWH**W-E	
Under Floor	Nominal Heating Capacity	+7°C	35°C	kW	11.0
Heating	Max Heating Capacity	+7°C	35°C	kW	13.24
	COP	+7°C	35°C	W/W	4.60
	Energy Efficiency Class - Low Temp Energy label		35°C		A+++
	Seasonal Space Heating Energy Efficiency		35°C	SCOP/ηs %	4.55/179
	Max Heating Capacity	-7°C	35°C	kW	9.10
	Heating Capacity *1	-7°C	35°C	kW	7.95
	COP *1	-7°C	35°C	W/W	2.54
	Max Heating Capacity	-10°C	35°C	kW	8.45
	Max Heating Capacity	-15°C	35°C	kW	7.37
	Heating Capacity *1	-15°C	35°C	kW	6.77
	COP *1	-15°C	35°C	W/W	2.27
Radiators Heating & DHW	Max Heating Capacity	+7°C	45°C	kW	12.41
	Max Heating Capacity	-7°C	45°C	kW	8.44
	Max Heating Capacity	-15°C	45°C	kW	7.52
	Max Heating Capacity	+7°C	55°C	kW	10.17
	Max Heating Capacity	-7°C	55°C	kW	7.72
	Max Heating Capacity	-10°C	55°C	kW	7.38
	Max Heating Capacity	-15°C	55°C	kW	6.81
	Energy Efficiency Class - Low Temp Energy label		55°C		A++
	Seasonal Space Heating Energy Efficiency		55°C	SCOP/ηs %	3.62/142
Cooling	Nominal Cooling Capacity	35°C	7°C	kW	8.0
	EER	35°C	7°C	W/W	2.80
	Nominal Cooling Capacity	35°C	18°C	kW	10.26
	EER	35°C	18°C	W/W	3.35

TOSHIBA

- 2 Zone with weekly timer controller
- Available hot water tank 150l / 200l / 300l
- Compact Hydro Unit with backup heater
- Quiet operation
- Smartphone control

Toshiba Air Conditioning Data Sheet

1101HW-E & 1101XWH**W-E
R32 Estia Air to Water Heat Pump

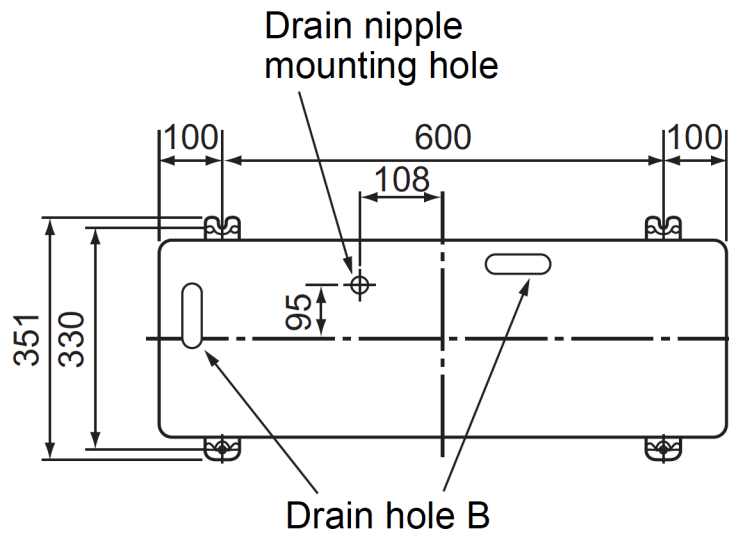


Outdoor Model Reference				1101HW-E	
Indoor Model Reference		Air T°	Water T°	1101XWH**W-E	
Operating Range	Space Heating Operation Outdoor			°C	-25 ~ 25
	Hot Water Operation Outdoor			°C	-25 ~ 43
	Cooling Operation Outdoor			°C	10 ~ 43
Operating Range	Hydro Heating Operation Indoor			°C	+20 ~ 65
	Hydro Cooling Operation Indoor			°C	+7 ~ 25
Heating Condition	Input Power	35°C	7°C	kW	2.39
	Rated Water Flow	35°C	7°C	l/m	31.8
Sound	Sound Pressure Outdoor (Rated-Silent) @ 1m *2			dB(A)	51/47
	Sound Pressure Outdoor (Rated-Silent) @ 5m *3			dB(A)	41/37
	Sound Power Outdoor (Rated-Silent)			dB(A)	63/59
Unit	Height X Width X Depth			mm	1050 x 1010 x 370
	Weight			kg	75
	Refrigerant Charge Amount/Chargeless to			kg/m	1.25/8
Air Flow	Standard			l/s	973
	Standard			m3/h	3504
Pipe Connection	Flare Connections (Gas - Liquid)			inch	5/8 - 1/4
	Drain Port Connection			mm	16
	Min.-Max. Length			m	5-30
	Additional refrigerant charge			g/m	25
	Maximum Height Difference			m	30
Electrical	Power Input Heating			kW	2.39
	Running Current Heating			Amps	10.60
	Power Input Cooling			kW	2.86
	Running Current Cooling			Amps	12.82
	Maximum Running Current			Amps	20.3
	Power Supply			V/ph/Hz	220-240/1/50
	Baseplate Tape heater			Watts	-
	Interconnection Cable to Hydro Indoor				2 core + earth
	Wiring Connection Power to Outdoor Unit				2 core + earth
	Suggested Fused Supply Outdoor Unit			Amps	25

TOSHIBA

- 2 Zone with weekly timer controller
- Available hot water tank 150l / 200l / 300l
- Compact Hydro Unit with backup heater
- Quiet operation
- Smartphone control

<HWT-40, 60>



<HWT-80, 110>

