

“
Perfect integration,
the cassettes adapt to aesthetic,
financial and material constraints”



Nominal Cooling capacity : 1.5 to 8.7 kW
 Nominal heating capacity : 1.3 to 11.6 kW



USE

MELODY 2 cassette is a non-independent terminal air conditioning unit installed in suspended ceilings which combines low cost installation and operating advantages

of central hot/chilled water production with individual temperature controls in each room.

RANGE

The MELODY2 cassette type fan coil unit range consists of 6 sizes covering a range of air flow from 360 à 1450 m³/h which meet the most stringent sound level requirements.

2 models:

- Compact cassette 600 x 600, type 61 - 62 - 63
- Large cassette 900 x 900, type 92 - 93 - 94.

The MELODY 2 cassettes are available in 3 versions:

- 2 pipe system, heating or cooling operation
- 2 pipe + 2 wire system, cooling cooling + electrical heating or heating/cooling + electrical heating
- 4 pipe system, cooling and heating operation.

The MELODY 2 cassettes are available either with a AC 3-speed motor or a variable speed EC motor that meet the new building energy performance objectives.

OPERATING PRINCIPLE

The fan takes the air from the room through a grille.

Filtered to be purified, dehumidified, heated or refrigerated through a chilled or hot water exchanger coil, this air is then

discharged into the room to be air conditioned through 4 directional louvres so as to obtain a maximum increase of the air stream and ensure the diffusion by Coanda effect.

RANGE

Recovery/Discharge grille

- Fits perfectly within the suspended ceiling tile dimensions.
- White color.
- The manual deflectors are adjustable (2 positions) allowing homogeneous air distribution throughout the room.

Water coil (2-pipe or 4-pipe system)

- Galvanized sheet metal.
- Copper tubes, aluminum fins.
- Air vent and partial drain.
- Nominal pressure: 14bar.
- Minimum water inlet temperature : 5 °C.
- Maximum water outlet temperature : 70 °C in 2 pipe and 80 °C in 4 pipes.

Electrical heater (system 2 pipe + electrical)

- Heating element, stainless steel tubes, inserted in the finned block
- 2 temperature limiter thermostats (1 auto + 1 manual).

Condensates drain pan

- A condensate drain pan in expanded polystyrene, covered with a waterproof film.
- Recovery is provided by a draining pump equipped with a safety float and mounted on anti-vibration mounts.
- The auxiliary pan is supplied as a standard accessory to recover the valve condensates.

Fan motor assembly

■ AC Motor

- 3-speeds motor.
- Closed type, with protected shaft.
- Permanent capacitor in the electrical box.
- Automatic open thermal protection in series.
- Resilient mounts.
- Supply 230V-1Ph-50/60 Hz
- Reduced consumption.

■ HEE Motor

- 0 -10V variable speed motor.
- BLAC (Brushless Alternating Current) brushless technology offering more linear torque progression and a lower operating sound level than BLDC (Brushless Direct Current) technology
- Sealed, tropicalised with protected shaft
- ball bearings
- internal automatic overload protection as standard on winding
- resilient mounts
- Supply 230V-1Ph - 50/60Hz

■ Fan

- Balanced centrifugal impeller with profiled blades.
- Polymer impeller.

Air filter

- Located on the detachable grille, easy to remove without dismantling.
- Washable filter made of polypropylene with efficiency EU1 regarding EN13779.

Casing

- Galvanized sheet metal.
- Thermal and acoustic insulation of the internal surfaces.
- Pre-cut (Ø 70 mm for size 600 and Ø 100 for size 900) Pre-cut Ø 150 mm on the side for air discharge in adjacent room.

Electrical box

- Large ABS electrical box with a hinge to keep it open and screw closure.
- Protection rating IP20
- Terminal block on DIN rail in accordance with EN 50022, dept 7.5 mm
- Junction block located with tension clamp. Cross section 0.5 to 2.5 mm²
- Cable routing for customer connections

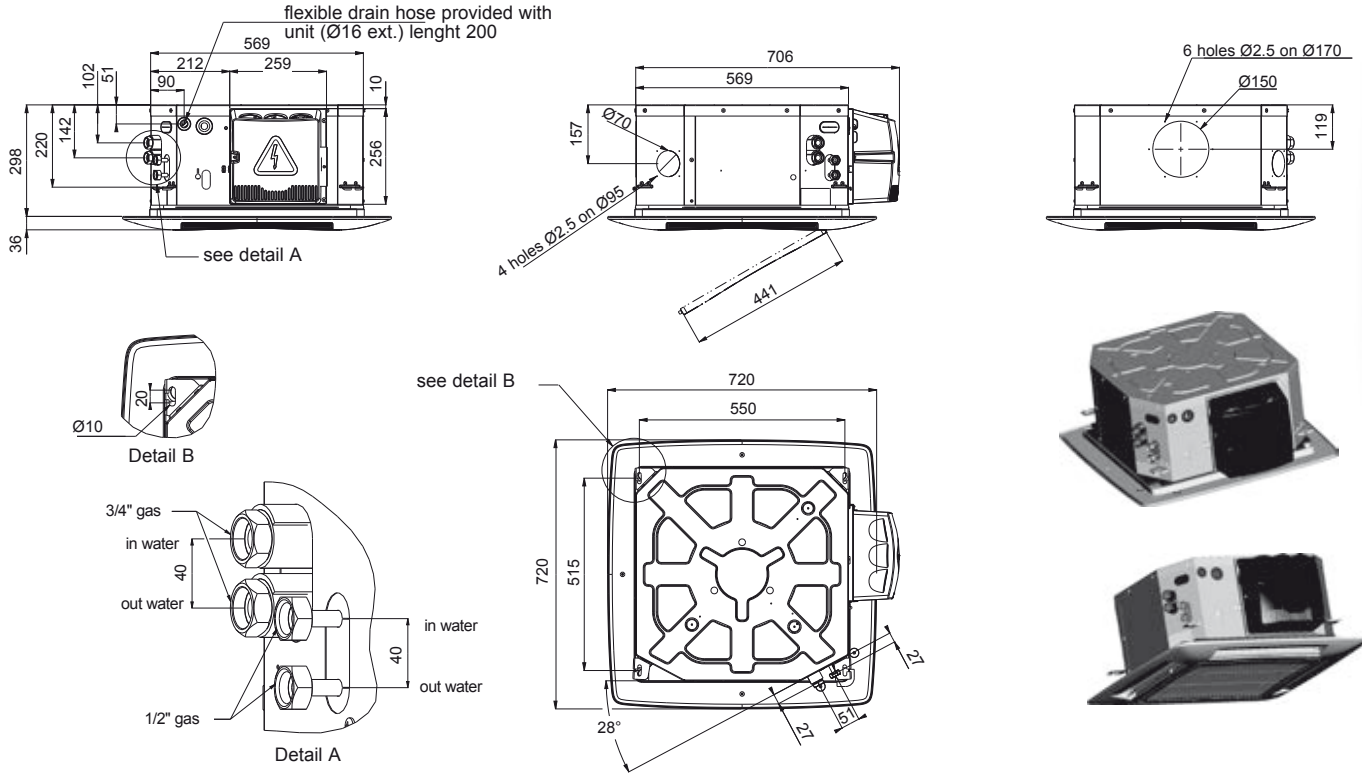
Accessories

- Resilents mounts
- Kit 2-ways and 3-ways with bypass 230V On/Off
- Kit 2-ways and 3-ways with bypass 24V 3 pts
- Thermostat RTR-E & V30 (AC version only)
- Kit V300 & V3000

DIMENSIONS (mm)

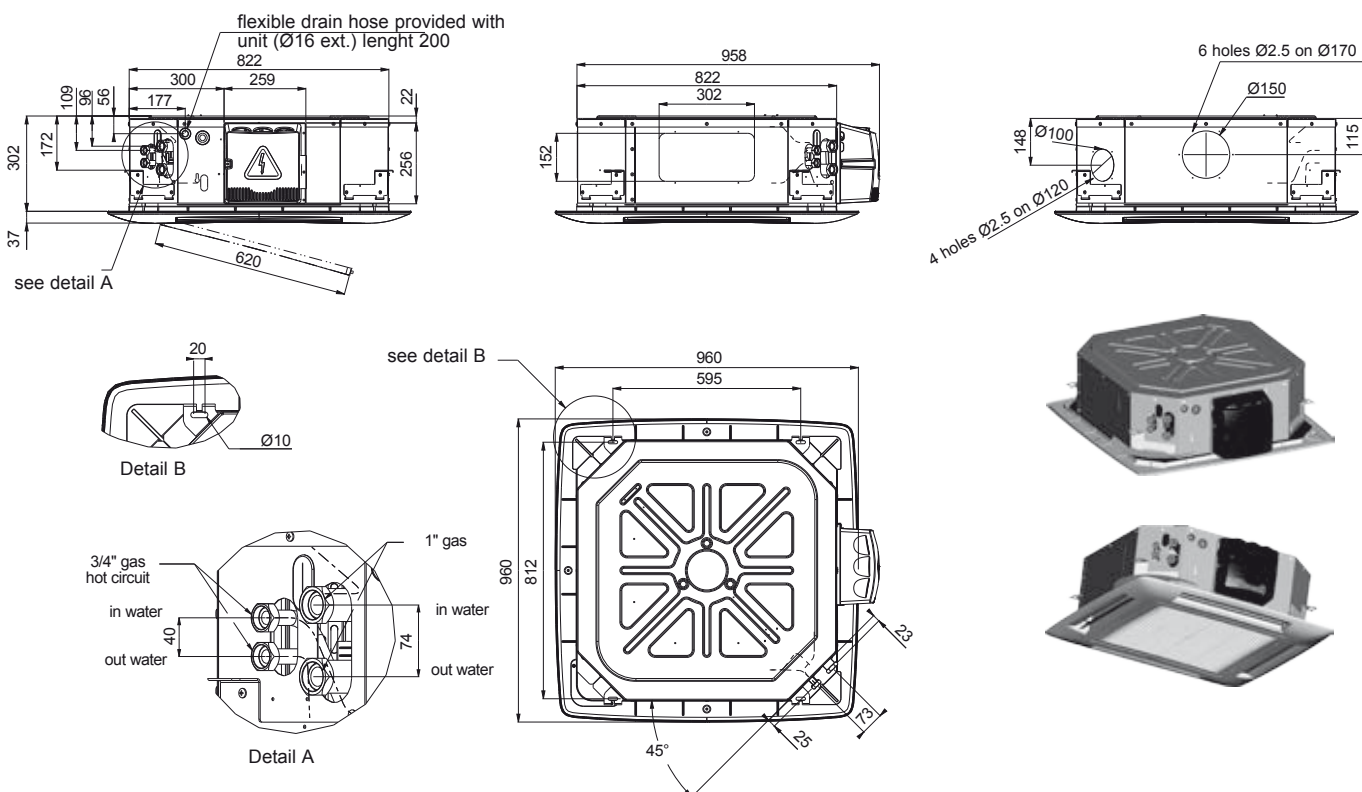
Size 600

Unit without valves



Size 900

Unit without valves



PERFORMANCES AC MOTOR

2 pipe

| Size | Speed V | Air flow m ³ /h | Heating capacity W | Pressure Drop kPa | Cooling Capacity | | Pressure Drop kPa | Lw dB(A) | LP dB(A)* | NR* | EUROVENT FCEER | EUROVENT FCCOP |
|-------|---------|----------------------------|--------------------|-------------------|------------------|------------|-------------------|----------|-----------|-----|----------------|----------------|
| | | | | | Total W | Sensible W | | | | | Class | Class |
| 61 AC | 1 | 660 | 3 200 | 8 | 2 390 | 2 010 | 10 | 49 | 40 | 36 | D | D |
| | 2 | 450 | 2 500 | 5 | 1 780 | 1 500 | 5 | 40 | 31 | 27 | | |
| | 3 | 360 | 2 200 | 4 | 1 550 | 1 300 | 4 | 36 | 27 | 24 | | |
| 62 AC | 1 | 735 | 4 530 | 13 | 4 020 | 3 070 | 14 | 53 | 44 | 40 | C | C |
| | 2 | 505 | 3 720 | 7 | 2 890 | 2 190 | 7 | 44 | 35 | 31 | | |
| | 3 | 320 | 2 320 | 3 | 1 880 | 1 420 | 3 | 35 | 26 | 20 | | |
| 63 AC | 1 | 900 | 6 200 | 14 | 4 740 | 3 670 | 18 | 57 | 48 | 43 | D | D |
| | 2 | 625 | 4 610 | 8 | 3 520 | 2 700 | 10 | 48 | 39 | 35 | | |
| | 3 | 485 | 3 700 | 5 | 2 800 | 2 100 | 6 | 42 | 33 | 29 | | |
| 92 AC | 1 | 980 | 8 070 | 17 | 6 100 | 4 500 | 22 | 49 | 40 | 35 | C | C |
| | 2 | 720 | 5 970 | 10 | 4 450 | 3 370 | 12 | 40 | 31 | 26 | | |
| | 3 | 530 | 4 480 | 6 | 3 360 | 2 530 | 7 | 35 | 26 | 20 | | |
| 93 AC | 1 | 1160 | 9 990 | 10 | 7 220 | 5 460 | 11 | 54 | 44 | 39 | C | C |
| | 2 | 825 | 7 400 | 6 | 5 490 | 4 090 | 6 | 46 | 37 | 32 | | |
| | 3 | 500 | 4 610 | 3 | 3 710 | 2 690 | 3 | 38 | 28 | 22 | | |
| 94 AC | 1 | 1450 | 11 700 | 18 | 8 670 | 6 400 | 20 | 59 | 50 | 43 | C | C |
| | 2 | 1080 | 9 300 | 11 | 6 530 | 4 900 | 12 | 52 | 43 | 36 | | |
| | 3 | 600 | 5 210 | 5 | 4 060 | 2 990 | 5 | 40 | 31 | 23 | | |

4 pipe

| Size | Speed | Air flow m ³ /h | Heating capacity W | Pressure Drop kPa | Cooling Capacity | | Pressure Drop kPa | Lw dB(A) | LP dB(A) | NR | EUROVENT FCEER | EUROVENT FCCOP |
|-------|-------|----------------------------|--------------------|-------------------|------------------|------------|-------------------|----------|----------|----|----------------|----------------|
| | | | | | Total W | Sensible W | | | | | Class | Class |
| 61 AC | 1 | 660 | 1 900 | 35 | 2 000 | 1 870 | 13 | 49 | 40 | 36 | E | E |
| | 2 | 450 | 1 440 | 21 | 1 500 | 1 400 | 8 | 40 | 31 | 27 | | |
| | 3 | 360 | 1 240 | 16 | 1 300 | 1 190 | 6 | 36 | 27 | 24 | | |
| 62 AC | 1 | 735 | 6 370 | 25 | 3 400 | 2 680 | 11 | 53 | 44 | 40 | C | B |
| | 2 | 505 | 5 100 | 17 | 2 700 | 2 090 | 7 | 44 | 35 | 31 | | |
| | 3 | 320 | 3 610 | 9 | 2 000 | 1 500 | 4 | 35 | 26 | 20 | | |
| 63 AC | 1 | 900 | 6 810 | 29 | 4 050 | 3 350 | 15 | 57 | 48 | 43 | D | C |
| | 2 | 625 | 5 810 | 22 | 3 240 | 2 610 | 10 | 48 | 39 | 35 | | |
| | 3 | 485 | 5 010 | 17 | 2 570 | 2 050 | 6 | 42 | 33 | 29 | | |
| 93 AC | 1 | 1160 | 11 500 | 13 | 6 670 | 5 100 | 24 | 54 | 44 | 39 | C | B |
| | 2 | 825 | 8 900 | 9 | 4 990 | 3 800 | 14 | 46 | 37 | 32 | | |
| | 3 | 500 | 6 010 | 4 | 2 990 | 2 250 | 5 | 38 | 28 | 22 | | |
| 94 AC | 1 | 1450 | 14 610 | 20 | 7 610 | 6 010 | 30 | 59 | 50 | 43 | D | C |
| | 2 | 1080 | 11 500 | 13 | 6 060 | 4 730 | 20 | 52 | 43 | 36 | | |
| | 3 | 600 | 7 310 | 6 | 3 190 | 2 400 | 6 | 40 | 31 | 23 | | |

EUROVENT conditions

Cooling mode : (2 pipes & 4 pipes) : Entering air temperature : 27°C/19°C_{BH}, entering/leaving water temperature : 7°C/12°C

Heating mode : (2 pipes) : Entering air temperature : 20°C, entering water temperature: 50°C, water flow as cooling mode

Heating mode : (4 pipes) : Entering air temperature : 20°C, entering/leaving water temperature : 70°C/60°C

*Acoustic pressure level and NR values are based on a hypothetical sound attenuation of the room of 9 dB(A)

PERFORMANCES EC MOTOR

2 pipe

| Size | Speed | Air flow m ³ /h | Heating capacity W | Pressure Drop kPa | Cooling Capacity | | Pressure Drop kPa | Lw dB(A) | LP dB(A)* | NR* | EUROVENT | EUROVENT |
|--------|-------|-------------------------------|--------------------------|-------------------------|------------------|---------------|-------------------------|-------------|--------------|-----|----------|----------|
| | | | | | Total W | Sensible W | | | | | FCEER | FCCOP |
| | | | | | | | | | | | Class | Class |
| 61 HEE | 10 | 660 | 3 200 | 8 | 2 390 | 2 010 | 10 | 49 | 40 | 36 | B | B |
| | 6 | 450 | 2 500 | 5 | 1 780 | 1 500 | 5 | 40 | 31 | 27 | | |
| | 2 | 360 | 2 200 | 4 | 1 550 | 1 300 | 4 | 36 | 27 | 24 | | |
| 62 HEE | 10 | 735 | 4 530 | 13 | 4 020 | 3 070 | 14 | 53 | 44 | 39 | A | A |
| | 6 | 505 | 3 720 | 7 | 2 890 | 2 190 | 7 | 44 | 35 | 30 | | |
| | 2 | 320 | 2 320 | 3 | 1 880 | 1 420 | 3 | 35 | 26 | 20 | | |
| 63 HEE | 10 | 900 | 6 200 | 14 | 4 740 | 3 670 | 18 | 57 | 48 | 43 | B | B |
| | 6 | 625 | 4 610 | 8 | 3 520 | 2 700 | 10 | 48 | 39 | 34 | | |
| | 2 | 485 | 3 700 | 5 | 2 800 | 2 100 | 6 | 42 | 33 | 28 | | |
| 92 HEE | 10 | 980 | 8 070 | 17 | 6 100 | 4 500 | 22 | 49 | 40 | 35 | A | A |
| | 6 | 720 | 5 970 | 10 | 4 450 | 3 370 | 12 | 40 | 31 | 26 | | |
| | 2 | 530 | 4 480 | 6 | 3 360 | 2 530 | 7 | 35 | 26 | 21 | | |
| 93 HEE | 10 | 1160 | 9 990 | 10 | 7 220 | 5 460 | 11 | 54 | 45 | 40 | A | A |
| | 6 | 825 | 7 400 | 6 | 5 490 | 4 090 | 6 | 46 | 37 | 32 | | |
| | 2 | 500 | 4 610 | 3 | 3 710 | 2 690 | 3 | 38 | 29 | 22 | | |
| 94 HEE | 10 | 1598 | 12 990 | 22 | 9 670 | 7 270 | 25 | 61 | 52 | 47 | A | A |
| | 6 | 1080 | 9 300 | 11 | 6 530 | 4 900 | 12 | 52 | 43 | 38 | | |
| | 2 | 600 | 5 210 | 5 | 4 060 | 2 990 | 5 | 40 | 31 | 25 | | |

4 pipe

| Size | Speed | Air flow m ³ /h | Heating capacity W | Pressure Drop kPa | Cooling Capacity | | Pressure Drop kPa | Lw dB(A) | LP dB(A) | NR | EUROVENT | EUROVENT |
|--------|-------|-------------------------------|--------------------------|-------------------------|------------------|---------------|-------------------------|-------------|-------------|----|----------|----------|
| | | | | | Total W | Sensible W | | | | | FCEER | FCCOP |
| | | | | | | | | | | | Class | Class |
| 61 HEE | 10 | 660 | 1 900 | 35 | 2 000 | 1 870 | 13 | 49 | 40 | 36 | B | C |
| | 6 | 450 | 1 440 | 21 | 1 500 | 1 400 | 8 | 40 | 31 | 27 | | |
| | 2 | 360 | 1 240 | 16 | 1 300 | 1 190 | 6 | 36 | 27 | 24 | | |
| 62 HEE | 10 | 735 | 6 370 | 25 | 3 400 | 2 680 | 11 | 53 | 44 | 39 | A | A |
| | 6 | 505 | 5 100 | 17 | 2 700 | 2 090 | 7 | 44 | 35 | 30 | | |
| | 2 | 320 | 3 610 | 9 | 2 000 | 1 500 | 4 | 35 | 26 | 20 | | |
| 63 HEE | 10 | 900 | 6 810 | 29 | 4 050 | 3 350 | 15 | 57 | 48 | 43 | B | A |
| | 6 | 625 | 5 810 | 22 | 3 240 | 2 610 | 10 | 48 | 39 | 34 | | |
| | 2 | 485 | 5 010 | 17 | 2 570 | 2 050 | 6 | 42 | 33 | 28 | | |
| 93 HEE | 10 | 1160 | 11 500 | 13 | 6 670 | 5 100 | 24 | 54 | 45 | 40 | A | A |
| | 6 | 825 | 8 900 | 9 | 4 990 | 3 800 | 14 | 46 | 37 | 32 | | |
| | 2 | 500 | 6 010 | 4 | 2 990 | 2 250 | 5 | 38 | 29 | 22 | | |
| 94 HEE | 10 | 1598 | 15 990 | 24 | 8 030 | 6 400 | 33 | 61 | 52 | 47 | B | A |
| | 6 | 1080 | 11 500 | 13 | 6 060 | 4 730 | 20 | 52 | 43 | 38 | | |
| | 2 | 600 | 7 310 | 6 | 3 190 | 2 400 | 6 | 40 | 31 | 25 | | |

EUROVENT conditions

Cooling mode : (2 pipes & 4 pipes) : Entering air temperature : 27°C/19°CBH, entering/leaving water temperature : 7°C/12°C

Heating mode : (2 pipes) : Entering air temperature : 20°C, entering water temperature: 50°C, water flow as cooling mode

Heating mode : (4 pipes) : Entering air temperature : 20°C, entering/leaving water temperature : 70°C/60°C

*Acoustic pressure level and NR values are based on a hypothetical sound attenuation of the room of 9 dB(A)

TECHNICAL AND ELECTRICAL CHARACTERISTICS

Coil content (litres)

| | | 61 | 62 | 63 | 92 | 93 | 94 |
|------------------------------|---------|------|-----|-----|-----|-----|-----|
| Standard 2-pipe systeme coil | | 0.55 | 1.1 | 1.1 | 1.6 | 2.4 | 2.4 |
| 4-pipe system coil | Cooling | 0.4 | 1.1 | 1.1 | | 2.4 | 2.4 |
| | Heating | 0.1 | 0.6 | 0.6 | | 1.2 | 1.2 |

Supply pipe diameter

| | | 61 | 62 | 63 | 92 | 93 | 94 |
|------------------------------|---------|--------|--------|--------|------|--------|--------|
| Standard 2-pipe systeme coil | | G 3/4" | G 3/4" | G 3/4" | G 1" | G 1" | G 1" |
| 4-pipe system coil | Cooling | G 3/4" | G 3/4" | G 3/4" | | G 1" | G 1" |
| | Heating | G 1/2" | G 1/2" | G 1/2" | | G 3/4" | G 3/4" |

Electrical characteristics (230 V - 1 ph - 50 Hz / 60 Hz) – Fan-motor AC

| | Speed | 61 AC | 62 AC | 63 AC | 92 AC | 93 AC | 94 AC |
|----------------------|-------|-------|-------|-------|-------|-------|-------|
| Power input (W) | 1 | 58 | 58 | 99 | 66 | 88 | 125 |
| | 2 | 35 | 34 | 58 | 41 | 61 | 92 |
| | 3 | 25 | 17 | 38 | 28 | 34 | 44 |
| Absorbed current (A) | 1 | 0.27 | 0.24 | 0.41 | 0.3 | 0.46 | 0.63 |
| | 2 | 0.17 | 0.14 | 0.24 | 0.17 | 0.27 | 0.41 |
| | 3 | 0.12 | 0.07 | 0.16 | 0.12 | 0.14 | 0.19 |

Electrical characteristics (230 V - 1 ph - 50 Hz / 60 Hz) – HEEmotor

| | Speed | 61 HEE | 62 HEE | 63 HEE | 92 HEE | 93 HEE | 94 HEE |
|----------------------|-------|--------|--------|--------|--------|--------|--------|
| Power input (W) | 2V | 29 | 33 | 57 | 25 | 45 | 115 |
| | 6V | 13 | 14 | 23 | 12 | 23 | 40 |
| | 10V | 9 | 7 | 13 | 7 | 9 | 11 |
| Absorbed current (A) | 2V | 0.19 | 0.27 | 0.46 | 0.23 | 0.4 | 0.89 |
| | 6V | 0.1 | 0.13 | 0.2 | 0.12 | 0.22 | 0.35 |
| | 10V | 0.08 | 0.08 | 0.12 | 0.08 | 0.1 | 0.12 |

Electrical characteristics (230 V - 1 ph - 50 Hz) – Electrical heater

| | 61 | 62 | 63 | 92 | 93 | 94 |
|----------------------|------|------|------|------|------|------|
| Electrical power | 1500 | 2500 | 2500 | 3000 | 3000 | 3000 |
| Absorbed current (A) | 6.3 | 10.4 | 10.4 | 12.5 | 12.5 | 12.5 |

Dimensions and weights

| | MELODY2 61 | MELODY2 62 | MELODY2 63 | MELODY2 92 | MELODY2 93 | MELODY2 94 |
|-------------------------------|-----------------|----------------|----------------|-----------------|----------------|----------------|
| Dimensions *(H x L x D) mm | 298 x 706 x 706 | | | 302 x 958 x 958 | | |
| Grille dimensions (H x L x D) | 36 x 720 x 720 | 36 x 720 x 720 | 36 x 720 x 720 | 37 x 960 x 960 | 37 x 960 x 960 | 37 x 960 x 960 |
| Weight unit/weight grille | 14.8/3 | 16.5/3 | 16.5/3 | 37/5 | 39.6/5 | 39.6/5 |

* With electrical box and without valves



COOLING CAPACITIES IN kW, 2 PIPE

| EAT | EWT | ΔT | Size | 61 AC | | | 62 AC | | | 63 AC | | | 92 AC | | | 93 AC | | | 94 AC | | |
|--------------|-----|----------|----------|--------|------|------|--------|------|------|--------|------|------|--------|------|------|--------|------|------|--------|------|------|
| | | | Speed | 1 | 2 | 3 | 1 | 2 | 3 | 1 | 2 | 3 | 1 | 2 | 3 | 1 | 2 | 3 | 1 | 2 | 3 |
| | | | Size | 61 HEE | | | 62 HEE | | | 63 HEE | | | 92 HEE | | | 93 HEE | | | 94 HEE | | |
| | | | Voltage | 10 V | 6 V | 2 V | 10 V | 6 V | 2 V | 10 V | 6 V | 2 V | 10 V | 6 V | 2 V | 10 V | 6 V | 2 V | 9 V | 6 V | 2 V |
| 23°DB/17°CWB | 5 | 3 | Total | 2.81 | 2.16 | 1.89 | 4.27 | 3.11 | 2.08 | 5.06 | 3.80 | 3.06 | 6.93 | 5.14 | 3.92 | 7.88 | 6.03 | 4.04 | 9.10 | 6.94 | 4.34 |
| | | | Sensible | 1.97 | 1.50 | 1.31 | 2.93 | 2.11 | 1.40 | 3.50 | 2.60 | 2.08 | 4.70 | 3.48 | 2.63 | 5.28 | 4.00 | 2.64 | 6.14 | 4.66 | 2.87 |
| | 5 | 5 | Total | 2.18 | 1.60 | 1.39 | 3.71 | 2.67 | 1.72 | 4.36 | 3.22 | 2.55 | 5.71 | 4.15 | 3.13 | 6.69 | 5.06 | 3.40 | 8.05 | 6.09 | 3.76 |
| | | | Sensible | 1.70 | 1.26 | 1.09 | 2.67 | 1.90 | 1.23 | 3.17 | 2.32 | 1.84 | 4.13 | 3.02 | 2.26 | 4.73 | 3.55 | 2.34 | 5.66 | 4.27 | 2.60 |
| | 5 | 7 | Total | 1.32 | 0.87 | 0.75 | 3.09 | 2.14 | 1.33 | 3.55 | 2.46 | 1.86 | 4.40 | 3.00 | 2.24 | 5.01 | 3.61 | 2.38 | 6.73 | 4.96 | 2.94 |
| | | | Sensible | 1.28 | 0.87 | 0.75 | 2.35 | 1.64 | 1.04 | 2.78 | 1.95 | 1.50 | 3.55 | 2.50 | 1.86 | 3.98 | 2.90 | 1.88 | 5.08 | 3.77 | 2.23 |
| | 5 | 9 | Total | 0.80 | 0.63 | 0.59 | 2.32 | 1.54 | 0.93 | 2.46 | 1.59 | 1.16 | 3.12 | 2.16 | 1.63 | 3.13 | 2.24 | 1.72 | 5.30 | 3.70 | 2.04 |
| | | | Sensible | 0.80 | 0.63 | 0.59 | 1.97 | 1.34 | 0.83 | 2.20 | 1.49 | 1.11 | 2.82 | 2.00 | 1.51 | 3.01 | 2.15 | 1.57 | 4.42 | 3.18 | 1.81 |
| | 7 | 3 | Total | 2.27 | 1.73 | 1.52 | 3.50 | 2.54 | 1.70 | 4.14 | 3.11 | 2.50 | 5.63 | 4.18 | 3.17 | 6.47 | 4.95 | 3.34 | 7.51 | 5.73 | 3.58 |
| | | | Sensible | 1.73 | 1.31 | 1.14 | 2.58 | 1.85 | 1.23 | 3.08 | 2.28 | 1.82 | 4.10 | 3.04 | 2.28 | 4.63 | 3.50 | 2.30 | 5.42 | 4.11 | 2.52 |
| | 7 | 5 | Total | 1.53 | 1.09 | 0.94 | 2.95 | 2.09 | 1.34 | 3.45 | 2.52 | 1.95 | 4.42 | 3.19 | 2.35 | 5.13 | 3.85 | 2.58 | 6.33 | 4.75 | 2.91 |
| | | | Sensible | 1.42 | 1.02 | 0.88 | 2.31 | 1.63 | 1.05 | 2.74 | 2.00 | 1.55 | 3.56 | 2.60 | 1.92 | 4.04 | 3.01 | 1.97 | 4.90 | 3.68 | 2.22 |
| | 7 | 7 | Total | 0.99 | 0.66 | 0.60 | 2.25 | 1.54 | 0.93 | 2.52 | 1.72 | 1.26 | 3.26 | 2.24 | 1.68 | 3.53 | 2.49 | 1.70 | 5.05 | 3.65 | 2.06 |
| | | | Sensible | 0.99 | 0.66 | 0.60 | 1.95 | 1.35 | 0.84 | 2.26 | 1.57 | 1.19 | 2.96 | 2.06 | 1.54 | 3.28 | 2.35 | 1.57 | 4.32 | 3.17 | 1.82 |
| | 7 | 9 | Total | 0.62 | 0.50 | 0.47 | 1.67 | 1.10 | 0.67 | 1.73 | 1.12 | 0.87 | 2.30 | 1.60 | 1.22 | 2.20 | 1.73 | 1.34 | 3.95 | 2.68 | 1.54 |
| | | | Sensible | 0.62 | 0.50 | 0.47 | 1.58 | 1.06 | 0.66 | 1.71 | 1.12 | 0.87 | 2.25 | 1.59 | 1.21 | 2.20 | 1.73 | 1.30 | 3.69 | 2.58 | 1.49 |
| | 9 | 3 | Total | 1.67 | 1.26 | 1.10 | 2.74 | 1.98 | 1.30 | 3.24 | 2.41 | 1.93 | 4.34 | 3.20 | 2.42 | 4.96 | 3.78 | 2.56 | 5.81 | 4.41 | 2.75 |
| | | | Sensible | 1.49 | 1.12 | 0.97 | 2.23 | 1.59 | 1.04 | 2.67 | 1.96 | 1.56 | 3.54 | 2.61 | 1.95 | 3.97 | 2.98 | 1.96 | 4.68 | 3.53 | 2.15 |
| | 9 | 5 | Total | 1.14 | 0.80 | 0.69 | 2.17 | 1.49 | 0.93 | 2.53 | 1.76 | 1.34 | 3.31 | 2.35 | 1.72 | 3.67 | 2.70 | 1.81 | 4.70 | 3.47 | 2.06 |
| | | | Sensible | 1.14 | 0.80 | 0.69 | 1.94 | 1.34 | 0.85 | 2.30 | 1.61 | 1.25 | 3.05 | 2.18 | 1.59 | 3.37 | 2.49 | 1.62 | 4.17 | 3.10 | 1.83 |
| | 9 | 7 | Total | 0.66 | 0.50 | 0.47 | 1.62 | 1.09 | 0.67 | 1.81 | 1.21 | 0.89 | 2.34 | 1.64 | 1.24 | 2.54 | 1.77 | 1.31 | 3.79 | 2.69 | 1.51 |
| | | | Sensible | 0.66 | 0.50 | 0.47 | 1.57 | 1.06 | 0.66 | 1.78 | 1.21 | 0.89 | 2.30 | 1.64 | 1.23 | 2.54 | 1.77 | 1.29 | 3.62 | 2.61 | 1.47 |
| | 9 | 9 | Total | 0.45 | 0.36 | 0.35 | 1.18 | 0.79 | 0.48 | 1.15 | 0.80 | 0.61 | 1.62 | 1.13 | 0.92 | 1.57 | 1.26 | 1.01 | 2.88 | 1.92 | 1.13 |
| | | | Sensible | 0.45 | 0.36 | 0.35 | 1.18 | 0.79 | 0.48 | 1.15 | 0.80 | 0.61 | 1.62 | 1.13 | 0.92 | 1.57 | 1.26 | 1.01 | 2.88 | 1.92 | 1.13 |
| 11 | 3 | Total | 1.20 | 0.88 | 0.76 | 1.98 | 1.41 | 0.90 | 2.36 | 1.72 | 1.36 | 3.20 | 2.34 | 1.76 | 3.55 | 2.68 | 1.80 | 4.24 | 3.18 | 1.94 | |
| | | Sensible | 1.20 | 0.88 | 0.76 | 1.87 | 1.33 | 0.85 | 2.24 | 1.63 | 1.29 | 3.03 | 2.22 | 1.66 | 3.34 | 2.49 | 1.63 | 3.97 | 2.98 | 1.79 | |
| 11 | 5 | Total | 0.85 | 0.58 | 0.50 | 1.55 | 1.06 | 0.65 | 1.83 | 1.26 | 0.96 | 2.45 | 1.69 | 1.26 | 2.71 | 1.97 | 1.29 | 3.55 | 2.59 | 1.49 | |
| | | Sensible | 0.85 | 0.58 | 0.50 | 1.53 | 1.06 | 0.65 | 1.82 | 1.26 | 0.96 | 2.45 | 1.69 | 1.26 | 2.71 | 1.97 | 1.29 | 3.49 | 2.56 | 1.48 | |
| 11 | 7 | Total | 0.45 | 0.36 | 0.34 | 1.18 | 0.78 | 0.48 | 1.26 | 0.82 | 0.63 | 1.66 | 1.16 | 0.88 | 1.61 | 1.27 | 0.97 | 2.83 | 1.94 | 1.11 | |
| | | Sensible | 0.45 | 0.36 | 0.34 | 1.18 | 0.78 | 0.48 | 1.26 | 0.82 | 0.63 | 1.66 | 1.16 | 0.88 | 1.61 | 1.27 | 0.97 | 2.83 | 1.94 | 1.11 | |
| 11 | 9 | Total | 0.28 | 0.24 | 0.23 | 0.76 | 0.50 | 0.30 | 0.67 | 0.47 | 0.37 | 0.97 | 0.76 | 0.63 | 0.98 | 0.81 | 0.68 | 1.81 | 1.24 | 0.74 | |
| | | Sensible | 0.28 | 0.24 | 0.23 | 0.76 | 0.50 | 0.30 | 0.67 | 0.47 | 0.37 | 0.97 | 0.76 | 0.63 | 0.98 | 0.81 | 0.68 | 1.81 | 1.24 | 0.74 | |
| 13 | 3 | Total | 0.94 | 0.68 | 0.58 | 1.50 | 1.03 | 0.65 | 1.80 | 1.29 | 0.98 | 2.43 | 1.77 | 1.31 | 2.69 | 1.99 | 1.32 | 3.26 | 2.42 | 1.43 | |
| | | Sensible | 0.94 | 0.68 | 0.58 | 1.50 | 1.03 | 0.65 | 1.80 | 1.29 | 0.98 | 2.43 | 1.77 | 1.31 | 2.69 | 1.99 | 1.32 | 3.26 | 2.42 | 1.43 | |
| 13 | 5 | Total | 0.53 | 0.37 | 0.34 | 1.14 | 0.77 | 0.48 | 1.31 | 0.89 | 0.66 | 1.69 | 1.19 | 0.90 | 1.91 | 1.34 | 0.94 | 2.69 | 1.93 | 1.08 | |
| | | Sensible | 0.53 | 0.37 | 0.34 | 1.14 | 0.77 | 0.48 | 1.31 | 0.89 | 0.66 | 1.69 | 1.19 | 0.90 | 1.91 | 1.34 | 0.94 | 2.69 | 1.93 | 1.08 | |
| 13 | 7 | Total | 0.28 | 0.23 | 0.22 | 0.74 | 0.50 | 0.30 | 0.69 | 0.48 | 0.37 | 0.98 | 0.70 | 0.58 | 0.97 | 0.79 | 0.64 | 1.81 | 1.22 | 0.72 | |
| | | Sensible | 0.28 | 0.23 | 0.22 | 0.74 | 0.50 | 0.30 | 0.69 | 0.48 | 0.37 | 0.98 | 0.70 | 0.58 | 0.97 | 0.79 | 0.64 | 1.81 | 1.22 | 0.72 | |
| 13 | 9 | Total | 0.13 | 0.12 | 0.11 | 0.31 | 0.20 | 0.12 | 0.24 | 0.18 | 0.15 | 0.50 | 0.39 | 0.33 | 0.43 | 0.38 | 0.34 | 0.75 | 0.50 | 0.32 | |
| | | Sensible | 0.13 | 0.12 | 0.11 | 0.31 | 0.20 | 0.12 | 0.24 | 0.18 | 0.15 | 0.50 | 0.39 | 0.33 | 0.43 | 0.38 | 0.34 | 0.75 | 0.50 | 0.32 | |

EAT : Entering Air temperature °C
EWT : Entering Water Temperature °C

ΔT : water rise temperature °C
WB : Wet bulb

DB : Dry bulb

COOLING CAPACITIES IN kW, 2 PIPE

| EAT | EWT | ΔT | Size | 61 AC | | | 62 AC | | | 63 AC | | | 92 AC | | | 93 AC | | | 94 AC | | |
|--------------|-----|----------|----------|--------|------|------|--------|------|------|--------|------|------|--------|------|------|--------|------|------|--------|------|------|
| | | | Speed | 1 | 2 | 3 | 1 | 2 | 3 | 1 | 2 | 3 | 1 | 2 | 3 | 1 | 2 | 3 | 1 | 2 | 3 |
| | | | Size | 61 HEE | | | 62 HEE | | | 63 HEE | | | 92 HEE | | | 93 HEE | | | 94 HEE | | |
| | | | Voltage | 10 V | 6 V | 2 V | 10 V | 6 V | 2 V | 10 V | 6 V | 2 V | 10 V | 6 V | 2 V | 10 V | 6 V | 2 V | 9 V | 6 V | 2 V |
| 25°DB/19°CWb | 5 | 3 | Total | 3.55 | 2.74 | 2.41 | 5.34 | 3.89 | 2.61 | 6.35 | 4.76 | 3.85 | 8.78 | 6.53 | 4.96 | 9.84 | 7.54 | 5.04 | 11.31 | 8.64 | 5.40 |
| | | | Sensible | 2.21 | 1.69 | 1.48 | 3.27 | 2.37 | 1.58 | 3.91 | 2.90 | 2.34 | 5.31 | 3.94 | 2.98 | 5.92 | 4.50 | 2.98 | 6.85 | 5.21 | 3.22 |
| | 5 | 5 | Total | 3.01 | 2.26 | 1.98 | 4.76 | 3.45 | 2.27 | 5.62 | 4.19 | 3.35 | 7.46 | 5.49 | 4.15 | 8.79 | 6.70 | 4.51 | 10.33 | 7.85 | 4.89 |
| | | | Sensible | 1.97 | 1.48 | 1.29 | 3.02 | 2.17 | 1.42 | 3.60 | 2.66 | 2.12 | 4.73 | 3.48 | 2.61 | 5.44 | 4.11 | 2.73 | 6.41 | 4.86 | 2.98 |
| | 5 | 7 | Total | 2.21 | 1.53 | 1.32 | 4.14 | 2.93 | 1.88 | 4.82 | 3.52 | 2.71 | 6.08 | 4.37 | 3.20 | 7.30 | 5.47 | 3.65 | 9.09 | 6.83 | 4.18 |
| | | | Sensible | 1.65 | 1.19 | 1.02 | 2.74 | 1.93 | 1.24 | 3.23 | 2.35 | 1.83 | 4.12 | 2.99 | 2.20 | 4.80 | 3.57 | 2.34 | 5.87 | 4.41 | 2.67 |
| | 5 | 9 | Total | 1.14 | 0.79 | 0.73 | 3.40 | 2.35 | 1.42 | 3.85 | 2.62 | 1.92 | 4.57 | 3.09 | 2.31 | 5.20 | 3.58 | 2.39 | 7.54 | 5.50 | 3.17 |
| | | | Sensible | 1.14 | 0.79 | 0.73 | 2.39 | 1.67 | 1.04 | 2.79 | 1.94 | 1.47 | 3.49 | 2.45 | 1.83 | 3.92 | 2.79 | 1.82 | 5.23 | 3.86 | 2.24 |
| | 7 | 3 | Total | 3.01 | 2.32 | 2.04 | 4.55 | 3.33 | 2.23 | 5.41 | 4.06 | 3.28 | 7.43 | 5.52 | 4.21 | 8.45 | 6.48 | 4.35 | 9.72 | 7.43 | 4.65 |
| | | | Sensible | 1.97 | 1.51 | 1.32 | 2.92 | 2.11 | 1.41 | 3.50 | 2.59 | 2.08 | 4.70 | 3.48 | 2.63 | 5.29 | 4.01 | 2.65 | 6.13 | 4.66 | 2.87 |
| | 7 | 5 | Total | 2.40 | 1.78 | 1.56 | 3.96 | 2.86 | 1.85 | 4.66 | 3.46 | 2.76 | 6.12 | 4.47 | 3.37 | 7.25 | 5.52 | 3.72 | 8.62 | 6.54 | 4.07 |
| | | | Sensible | 1.72 | 1.29 | 1.12 | 2.67 | 1.91 | 1.24 | 3.17 | 2.33 | 1.86 | 4.14 | 3.03 | 2.28 | 4.77 | 3.59 | 2.37 | 5.66 | 4.28 | 2.62 |
| | 7 | 7 | Total | 1.46 | 0.96 | 0.83 | 3.33 | 2.31 | 1.46 | 3.83 | 2.72 | 2.06 | 4.70 | 3.27 | 2.39 | 5.54 | 4.06 | 2.70 | 7.20 | 5.35 | 3.22 |
| | | | Sensible | 1.34 | 0.93 | 0.80 | 2.38 | 1.65 | 1.06 | 2.80 | 1.99 | 1.54 | 3.55 | 2.54 | 1.87 | 4.07 | 2.99 | 1.94 | 5.08 | 3.80 | 2.26 |
| | 7 | 9 | Total | 0.84 | 0.65 | 0.60 | 2.49 | 1.67 | 0.99 | 2.68 | 1.75 | 1.23 | 3.25 | 2.28 | 1.72 | 3.43 | 2.33 | 1.79 | 5.60 | 4.01 | 2.17 |
| | | | Sensible | 0.84 | 0.65 | 0.60 | 1.99 | 1.37 | 0.85 | 2.26 | 1.54 | 1.14 | 2.83 | 2.02 | 1.52 | 3.14 | 2.19 | 1.56 | 4.42 | 3.23 | 1.82 |
| | 9 | 3 | Total | 2.44 | 1.87 | 1.65 | 3.73 | 2.72 | 1.82 | 4.41 | 3.32 | 2.68 | 6.02 | 4.47 | 3.41 | 6.96 | 5.34 | 3.60 | 8.03 | 6.13 | 3.85 |
| | | | Sensible | 1.74 | 1.32 | 1.15 | 2.57 | 1.85 | 1.23 | 3.08 | 2.28 | 1.82 | 4.10 | 3.04 | 2.29 | 4.64 | 3.51 | 2.32 | 5.41 | 4.11 | 2.52 |
| | 9 | 5 | Total | 1.71 | 1.22 | 1.06 | 3.15 | 2.26 | 1.44 | 3.68 | 2.71 | 2.13 | 4.71 | 3.41 | 2.56 | 5.55 | 4.20 | 2.83 | 6.76 | 5.10 | 3.16 |
| | | | Sensible | 1.46 | 1.07 | 0.92 | 2.31 | 1.65 | 1.06 | 2.75 | 2.01 | 1.58 | 3.56 | 2.60 | 1.94 | 4.08 | 3.05 | 2.00 | 4.90 | 3.69 | 2.24 |
| | 9 | 7 | Total | 1.04 | 0.69 | 0.61 | 2.40 | 1.65 | 0.99 | 2.73 | 1.86 | 1.38 | 3.43 | 2.35 | 1.77 | 3.82 | 2.71 | 1.80 | 5.36 | 3.90 | 2.24 |
| | | | Sensible | 1.04 | 0.69 | 0.61 | 1.96 | 1.37 | 0.85 | 2.31 | 1.61 | 1.22 | 3.00 | 2.08 | 1.56 | 3.34 | 2.42 | 1.57 | 4.32 | 3.19 | 1.86 |
| | 9 | 9 | Total | 0.63 | 0.51 | 0.47 | 1.76 | 1.14 | 0.70 | 1.82 | 1.16 | 0.89 | 2.39 | 1.65 | 1.25 | 2.30 | 1.76 | 1.37 | 4.12 | 2.82 | 1.59 |
| | | | Sensible | 0.63 | 0.51 | 0.47 | 1.60 | 1.07 | 0.67 | 1.76 | 1.15 | 0.89 | 2.28 | 1.61 | 1.21 | 2.30 | 1.76 | 1.31 | 3.71 | 2.62 | 1.50 |
| 11 | 3 | Total | 1.81 | 1.38 | 1.21 | 2.91 | 2.11 | 1.41 | 3.44 | 2.57 | 2.06 | 4.61 | 3.43 | 2.59 | 5.33 | 4.09 | 2.77 | 6.21 | 4.73 | 2.97 | |
| | | Sensible | 1.50 | 1.13 | 0.98 | 2.23 | 1.60 | 1.05 | 2.67 | 1.96 | 1.56 | 3.53 | 2.61 | 1.96 | 3.99 | 3.00 | 1.97 | 4.68 | 3.54 | 2.17 | |
| 11 | 5 | Total | 1.17 | 0.83 | 0.71 | 2.31 | 1.59 | 1.01 | 2.67 | 1.91 | 1.44 | 3.46 | 2.48 | 1.80 | 3.91 | 2.89 | 1.94 | 4.95 | 3.68 | 2.21 | |
| | | Sensible | 1.17 | 0.83 | 0.71 | 1.95 | 1.35 | 0.87 | 2.31 | 1.65 | 1.27 | 3.04 | 2.21 | 1.60 | 3.39 | 2.51 | 1.64 | 4.17 | 3.11 | 1.85 | |
| 11 | 7 | Total | 0.72 | 0.51 | 0.47 | 1.69 | 1.13 | 0.69 | 1.87 | 1.26 | 0.92 | 2.41 | 1.69 | 1.27 | 2.66 | 1.85 | 1.34 | 3.91 | 2.78 | 1.55 | |
| | | Sensible | 0.72 | 0.51 | 0.47 | 1.58 | 1.08 | 0.67 | 1.81 | 1.24 | 0.92 | 2.32 | 1.65 | 1.24 | 2.63 | 1.85 | 1.30 | 3.62 | 2.63 | 1.48 | |
| 11 | 9 | Total | 0.45 | 0.37 | 0.35 | 1.21 | 0.81 | 0.49 | 1.21 | 0.82 | 0.63 | 1.66 | 1.15 | 0.92 | 1.61 | 1.29 | 1.02 | 2.95 | 1.96 | 1.16 | |
| | | Sensible | 0.45 | 0.37 | 0.35 | 1.21 | 0.81 | 0.49 | 1.21 | 0.82 | 0.63 | 1.66 | 1.15 | 0.92 | 1.61 | 1.29 | 1.02 | 2.92 | 1.96 | 1.16 | |
| 13 | 3 | Total | 1.24 | 0.91 | 0.79 | 2.09 | 1.50 | 0.96 | 2.47 | 1.82 | 1.45 | 3.33 | 2.44 | 1.84 | 3.73 | 2.82 | 1.91 | 4.42 | 3.33 | 2.05 | |
| | | Sensible | 1.23 | 0.91 | 0.78 | 1.87 | 1.33 | 0.86 | 2.25 | 1.64 | 1.30 | 3.02 | 2.21 | 1.66 | 3.33 | 2.49 | 1.63 | 3.96 | 2.97 | 1.79 | |
| 13 | 5 | Total | 0.88 | 0.61 | 0.52 | 1.59 | 1.09 | 0.67 | 1.88 | 1.29 | 0.98 | 2.52 | 1.72 | 1.29 | 2.79 | 2.03 | 1.34 | 3.60 | 2.64 | 1.53 | |
| | | Sensible | 0.88 | 0.61 | 0.52 | 1.54 | 1.07 | 0.67 | 1.85 | 1.28 | 0.98 | 2.47 | 1.70 | 1.27 | 2.75 | 2.01 | 1.32 | 3.48 | 2.57 | 1.49 | |
| 13 | 7 | Total | 0.46 | 0.37 | 0.34 | 1.20 | 0.79 | 0.49 | 1.30 | 0.84 | 0.64 | 1.69 | 1.19 | 0.90 | 1.71 | 1.29 | 0.99 | 2.88 | 2.00 | 1.13 | |
| | | Sensible | 0.46 | 0.37 | 0.34 | 1.20 | 0.79 | 0.49 | 1.30 | 0.84 | 0.64 | 1.69 | 1.19 | 0.90 | 1.71 | 1.29 | 0.99 | 2.88 | 2.00 | 1.13 | |
| 13 | 9 | Total | 0.29 | 0.24 | 0.23 | 0.78 | 0.52 | 0.31 | 0.69 | 0.49 | 0.38 | 0.98 | 0.76 | 0.63 | 1.00 | 0.83 | 0.69 | 1.86 | 1.27 | 0.76 | |
| | | Sensible | 0.29 | 0.24 | 0.23 | 0.78 | 0.52 | 0.31 | 0.69 | 0.49 | 0.38 | 0.98 | 0.76 | 0.63 | 1.00 | 0.83 | 0.69 | 1.86 | 1.27 | 0.76 | |

EAT : Entering Air temperature °C
EWT : Entering Water Temperature °C

ΔT : water rise temperature °C
WB : Wet bulb

DB : Dry bulb



COOLING CAPACITIES IN kW, 2 PIPE

| EAT | EWT | ΔT | Size | 61 AC | | | 62 AC | | | 63 AC | | | 92 AC | | | 93 AC | | | 94 AC | | |
|--------------|-----|----------|----------|--------|------|------|--------|------|------|--------|------|------|--------|------|------|--------|------|------|--------|------|------|
| | | | Speed | 1 | 2 | 3 | 1 | 2 | 3 | 1 | 2 | 3 | 1 | 2 | 3 | 1 | 2 | 3 | 1 | 2 | 3 |
| | | | Size | 61 HEE | | | 62 HEE | | | 63 HEE | | | 92 HEE | | | 93 HEE | | | 94 HEE | | |
| | | | Voltage | 10 V | 6 V | 2 V | 10 V | 6 V | 2 V | 10 V | 6 V | 2 V | 10 V | 6 V | 2 V | 10 V | 6 V | 2 V | 9 V | 6 V | 2 V |
| 27°DB/19°CWb | 5 | 3 | Total | 3.55 | 2.74 | 2.41 | 5.33 | 3.89 | 2.61 | 6.35 | 4.75 | 3.84 | 8.77 | 6.52 | 4.96 | 9.84 | 7.53 | 5.04 | 11.30 | 8.64 | 5.40 |
| | | | Sensible | 2.49 | 1.91 | 1.66 | 3.67 | 2.65 | 1.76 | 4.40 | 3.26 | 2.62 | 5.94 | 4.41 | 3.32 | 6.61 | 5.01 | 3.30 | 7.67 | 5.83 | 3.59 |
| | 5 | 5 | Total | 3.00 | 2.26 | 1.98 | 4.79 | 3.46 | 2.28 | 5.66 | 4.21 | 3.37 | 7.54 | 5.55 | 4.19 | 8.78 | 6.69 | 4.51 | 10.32 | 7.85 | 4.88 |
| | | | Sensible | 2.26 | 1.70 | 1.48 | 3.42 | 2.46 | 1.61 | 4.09 | 3.01 | 2.40 | 5.38 | 3.97 | 2.97 | 6.13 | 4.62 | 3.05 | 7.23 | 5.47 | 3.35 |
| | 5 | 7 | Total | 2.20 | 1.50 | 1.29 | 4.22 | 2.99 | 1.91 | 4.92 | 3.60 | 2.78 | 6.25 | 4.52 | 3.33 | 7.32 | 5.48 | 3.68 | 9.08 | 6.83 | 4.18 |
| | | | Sensible | 1.93 | 1.37 | 1.18 | 3.15 | 2.23 | 1.43 | 3.73 | 2.72 | 2.11 | 4.81 | 3.51 | 2.59 | 5.50 | 4.09 | 2.68 | 6.69 | 5.03 | 3.04 |
| | 5 | 9 | Total | 1.49 | 1.00 | 0.88 | 3.53 | 2.44 | 1.49 | 4.04 | 2.77 | 2.06 | 5.03 | 3.43 | 2.57 | 5.53 | 3.97 | 2.63 | 7.74 | 5.67 | 3.29 |
| | | | Sensible | 1.49 | 1.00 | 0.88 | 2.81 | 1.96 | 1.23 | 3.31 | 2.31 | 1.77 | 4.28 | 2.98 | 2.23 | 4.71 | 3.42 | 2.22 | 6.10 | 4.52 | 2.64 |
| | 7 | 3 | Total | 3.01 | 2.32 | 2.04 | 4.54 | 3.32 | 2.23 | 5.41 | 4.05 | 3.28 | 7.44 | 5.52 | 4.21 | 8.44 | 6.47 | 4.35 | 9.71 | 7.42 | 4.65 |
| | | | Sensible | 2.26 | 1.72 | 1.50 | 3.32 | 2.40 | 1.59 | 3.98 | 2.94 | 2.36 | 5.34 | 3.95 | 2.98 | 5.98 | 4.52 | 2.97 | 6.95 | 5.28 | 3.24 |
| | 7 | 5 | Total | 2.40 | 1.80 | 1.55 | 4.00 | 2.90 | 1.90 | 4.70 | 3.50 | 2.85 | 6.30 | 4.50 | 3.40 | 7.20 | 5.50 | 3.70 | 8.61 | 6.60 | 4.05 |
| | | | Sensible | 2.01 | 1.49 | 1.31 | 3.10 | 2.20 | 1.41 | 3.70 | 2.70 | 2.10 | 4.80 | 3.60 | 2.70 | 5.50 | 4.10 | 2.70 | 6.48 | 4.85 | 3.00 |
| | 7 | 7 | Total | 1.69 | 1.16 | 1.00 | 3.44 | 2.39 | 1.51 | 3.97 | 2.84 | 2.16 | 5.04 | 3.60 | 2.63 | 5.74 | 4.23 | 2.83 | 7.37 | 5.49 | 3.30 |
| | | | Sensible | 1.65 | 1.16 | 1.00 | 2.79 | 1.94 | 1.24 | 3.30 | 2.36 | 1.83 | 4.29 | 3.11 | 2.28 | 4.81 | 3.55 | 2.31 | 5.94 | 4.44 | 2.65 |
| | 7 | 9 | Total | 1.21 | 0.81 | 0.74 | 2.72 | 1.85 | 1.12 | 3.05 | 2.08 | 1.52 | 3.94 | 2.74 | 2.06 | 4.27 | 3.02 | 2.07 | 6.09 | 4.39 | 2.46 |
| | | | Sensible | 1.21 | 0.81 | 0.74 | 2.41 | 1.67 | 1.03 | 2.79 | 1.94 | 1.46 | 3.65 | 2.58 | 1.93 | 4.06 | 2.90 | 1.95 | 5.35 | 3.93 | 2.25 |
| | 9 | 3 | Total | 2.44 | 1.87 | 1.64 | 3.77 | 2.74 | 1.83 | 4.47 | 3.35 | 2.70 | 6.11 | 4.53 | 3.45 | 6.95 | 5.33 | 3.60 | 8.01 | 6.12 | 3.84 |
| | | | Sensible | 2.02 | 1.53 | 1.34 | 2.97 | 2.13 | 1.41 | 3.57 | 2.63 | 2.10 | 4.76 | 3.52 | 2.65 | 5.34 | 4.02 | 2.64 | 6.23 | 4.72 | 2.89 |
| | 9 | 5 | Total | 1.82 | 1.32 | 1.14 | 3.24 | 2.33 | 1.49 | 3.81 | 2.80 | 2.21 | 5.00 | 3.63 | 2.74 | 5.70 | 4.31 | 2.91 | 6.90 | 5.19 | 3.20 |
| | | | Sensible | 1.73 | 1.27 | 1.10 | 2.72 | 1.94 | 1.24 | 3.24 | 2.36 | 1.87 | 4.28 | 3.13 | 2.35 | 4.80 | 3.58 | 2.34 | 5.75 | 4.32 | 2.61 |
| | 9 | 7 | Total | 1.37 | 0.95 | 0.82 | 2.63 | 1.81 | 1.12 | 3.08 | 2.12 | 1.61 | 4.02 | 2.80 | 2.07 | 4.42 | 3.22 | 2.13 | 5.79 | 4.24 | 2.48 |
| | | | Sensible | 1.37 | 0.95 | 0.82 | 2.39 | 1.66 | 1.04 | 2.86 | 1.98 | 1.53 | 3.77 | 2.65 | 1.96 | 4.17 | 3.05 | 2.00 | 5.23 | 3.87 | 2.28 |
| | 9 | 9 | Total | 0.90 | 0.66 | 0.61 | 2.12 | 1.42 | 0.87 | 2.37 | 1.59 | 1.17 | 3.06 | 2.15 | 1.62 | 3.34 | 2.33 | 1.69 | 4.91 | 3.50 | 1.96 |
| | | | Sensible | 0.90 | 0.66 | 0.61 | 2.04 | 1.39 | 0.86 | 2.33 | 1.59 | 1.17 | 3.01 | 2.14 | 1.61 | 3.34 | 2.33 | 1.68 | 4.68 | 3.39 | 1.19 |
| 11 | 3 | Total | 1.83 | 1.37 | 1.19 | 2.99 | 2.16 | 1.44 | 3.55 | 2.64 | 2.12 | 4.81 | 3.57 | 2.70 | 5.41 | 4.14 | 2.80 | 6.29 | 4.78 | 2.98 | |
| | | Sensible | 1.76 | 1.31 | 1.14 | 2.63 | 1.88 | 1.24 | 3.15 | 2.31 | 1.84 | 4.22 | 3.12 | 2.34 | 4.69 | 3.52 | 2.30 | 5.51 | 4.16 | 2.52 | |
| 11 | 5 | Total | 1.46 | 1.05 | 0.91 | 2.49 | 1.73 | 1.10 | 2.94 | 2.12 | 1.62 | 3.95 | 2.87 | 2.12 | 4.38 | 3.25 | 2.18 | 5.37 | 3.99 | 2.40 | |
| | | Sensible | 1.46 | 1.05 | 0.91 | 2.35 | 1.63 | 1.04 | 2.81 | 2.02 | 1.56 | 3.77 | 2.75 | 2.02 | 4.18 | 3.10 | 2.03 | 5.05 | 3.77 | 2.25 | |
| 11 | 7 | Total | 1.09 | 0.73 | 0.63 | 2.04 | 1.40 | 0.85 | 2.38 | 1.64 | 1.24 | 3.18 | 2.19 | 1.64 | 3.52 | 2.54 | 1.67 | 4.67 | 3.39 | 1.94 | |
| | | Sensible | 1.09 | 0.73 | 0.63 | 2.00 | 1.38 | 0.85 | 2.36 | 1.64 | 1.24 | 3.16 | 2.19 | 1.64 | 3.52 | 2.54 | 1.67 | 4.56 | 3.34 | 1.92 | |
| 11 | 9 | Total | 0.65 | 0.51 | 0.48 | 1.66 | 1.10 | 0.68 | 1.83 | 1.20 | 0.90 | 2.38 | 1.67 | 1.26 | 2.46 | 1.79 | 1.36 | 3.95 | 2.76 | 1.56 | |
| | | Sensible | 0.65 | 0.51 | 0.48 | 1.66 | 1.10 | 0.68 | 1.83 | 1.20 | 0.90 | 2.38 | 1.67 | 1.26 | 2.46 | 1.79 | 1.36 | 3.95 | 2.76 | 1.56 | |
| 13 | 3 | Total | 1.48 | 1.09 | 0.94 | 2.29 | 1.63 | 1.05 | 2.75 | 2.01 | 1.59 | 3.78 | 2.78 | 2.09 | 4.14 | 3.10 | 2.07 | 4.89 | 3.66 | 2.20 | |
| | | Sensible | 1.48 | 1.09 | 0.94 | 2.26 | 1.60 | 1.03 | 2.73 | 1.98 | 1.57 | 3.71 | 2.73 | 2.05 | 4.07 | 3.04 | 1.99 | 4.82 | 3.60 | 2.15 | |
| 13 | 5 | Total | 1.19 | 0.85 | 0.73 | 1.98 | 1.35 | 0.85 | 2.37 | 1.66 | 1.27 | 3.18 | 2.30 | 1.66 | 3.53 | 2.60 | 1.72 | 4.37 | 3.23 | 1.90 | |
| | | Sensible | 1.19 | 0.85 | 0.73 | 1.98 | 1.35 | 0.85 | 2.37 | 1.66 | 1.27 | 3.18 | 2.30 | 1.66 | 3.53 | 2.60 | 1.72 | 4.37 | 3.23 | 1.90 | |
| 13 | 7 | Total | 0.77 | 0.52 | 0.48 | 1.62 | 1.10 | 0.67 | 1.86 | 1.27 | 0.94 | 2.41 | 1.70 | 1.28 | 2.73 | 1.93 | 1.33 | 3.79 | 2.72 | 1.53 | |
| | | Sensible | 0.77 | 0.52 | 0.48 | 1.62 | 1.10 | 0.67 | 1.86 | 1.27 | 0.94 | 2.41 | 1.70 | 1.28 | 2.73 | 1.93 | 1.33 | 3.79 | 2.72 | 1.53 | |
| 13 | 9 | Total | 0.46 | 0.38 | 0.35 | 1.24 | 0.82 | 0.50 | 1.27 | 0.84 | 0.64 | 1.70 | 1.18 | 0.92 | 1.64 | 1.31 | 1.03 | 3.02 | 2.01 | 1.18 | |
| | | Sensible | 0.46 | 0.38 | 0.35 | 1.24 | 0.82 | 0.50 | 1.27 | 0.84 | 0.64 | 1.70 | 1.18 | 0.92 | 1.64 | 1.31 | 1.03 | 3.02 | 2.01 | 1.18 | |

EAT : Entering Air temperature °C
EWT : Entering Water Temperature °C

ΔT : water rise temperature °C
WB : Wet bulb

DB : Dry bulb

COOLING CAPACITIES IN kW, 2 PIPE

| EAT | EWT | ΔT | Size | 61 AC | | | 62 AC | | | 63 AC | | | 92 AC | | | 93 AC | | | 94 AC | | |
|--------------|-----|----------|----------|--------|------|------|--------|------|------|--------|------|------|--------|------|------|--------|------|------|--------|-------|------|
| | | | Speed | 1 | 2 | 3 | 1 | 2 | 3 | 1 | 2 | 3 | 1 | 2 | 3 | 1 | 2 | 3 | 1 | 2 | 3 |
| | | | Size | 61 HEE | | | 62 HEE | | | 63 HEE | | | 92 HEE | | | 93 HEE | | | 94 HEE | | |
| | | | Voltage | 10 V | 6 V | 2 V | 10 V | 6 V | 2 V | 10 V | 6 V | 2 V | 10 V | 6 V | 2 V | 10 V | 6 V | 2 V | 9 V | 6 V | 2 V |
| 29°DB/21°CWB | 5 | 3 | Total | 4.34 | 3.36 | 2.96 | 6.49 | 4.72 | 3.18 | 7.73 | 5.80 | 4.68 | 10.76 | 8.01 | 6.08 | 11.94 | 9.14 | 6.11 | 13.68 | 10.46 | 6.54 |
| | | | Sensible | 2.72 | 2.09 | 1.83 | 4.01 | 2.90 | 1.94 | 4.81 | 3.57 | 2.87 | 6.55 | 4.87 | 3.67 | 7.24 | 5.50 | 3.64 | 8.36 | 6.37 | 3.93 |
| | 5 | 5 | Total | 3.85 | 2.93 | 2.57 | 5.93 | 4.31 | 2.88 | 7.00 | 5.25 | 4.22 | 9.45 | 7.02 | 5.32 | 10.97 | 8.39 | 5.64 | 12.74 | 9.72 | 6.07 |
| | | | Sensible | 2.51 | 1.90 | 1.66 | 3.77 | 2.72 | 1.80 | 4.50 | 3.33 | 2.67 | 5.97 | 4.42 | 3.33 | 6.81 | 5.16 | 3.42 | 7.95 | 6.04 | 3.72 |
| | 5 | 7 | Total | 3.17 | 2.33 | 2.03 | 5.31 | 3.83 | 2.48 | 6.24 | 4.62 | 3.67 | 8.13 | 5.91 | 4.46 | 9.68 | 7.34 | 4.95 | 11.60 | 8.79 | 5.45 |
| | | | Sensible | 2.24 | 1.66 | 1.44 | 3.51 | 2.51 | 1.62 | 4.17 | 3.06 | 2.43 | 5.41 | 3.95 | 2.96 | 6.25 | 4.70 | 3.10 | 7.46 | 5.64 | 3.44 |
| | 5 | 9 | Total | 2.16 | 1.39 | 1.20 | 4.69 | 3.28 | 2.08 | 5.41 | 3.90 | 2.98 | 6.67 | 4.73 | 3.42 | 7.92 | 5.85 | 3.91 | 10.19 | 7.62 | 4.62 |
| | | | Sensible | 1.86 | 1.29 | 1.11 | 3.22 | 2.26 | 1.45 | 3.79 | 2.74 | 2.11 | 4.80 | 3.47 | 2.54 | 5.54 | 4.08 | 2.66 | 6.88 | 5.16 | 3.10 |
| | 7 | 3 | Total | 3.80 | 2.94 | 2.60 | 5.70 | 4.16 | 2.80 | 6.78 | 5.09 | 4.12 | 9.42 | 7.01 | 5.33 | 10.55 | 8.09 | 5.43 | 12.08 | 9.24 | 5.80 |
| | | | Sensible | 2.49 | 1.91 | 1.67 | 3.67 | 2.65 | 1.77 | 4.39 | 3.26 | 2.62 | 5.95 | 4.41 | 3.33 | 6.61 | 5.02 | 3.31 | 7.65 | 5.82 | 3.59 |
| | 7 | 5 | Total | 3.26 | 2.47 | 2.17 | 5.11 | 3.71 | 2.47 | 6.03 | 4.51 | 3.62 | 8.07 | 5.99 | 4.53 | 9.47 | 7.25 | 4.89 | 11.05 | 8.42 | 5.27 |
| | | | Sensible | 2.28 | 1.72 | 1.49 | 3.42 | 2.46 | 1.62 | 4.08 | 3.01 | 2.41 | 5.38 | 3.98 | 2.99 | 6.16 | 4.66 | 3.08 | 7.22 | 5.48 | 3.36 |
| | 7 | 7 | Total | 2.49 | 1.78 | 1.54 | 4.51 | 3.24 | 2.07 | 5.27 | 3.88 | 3.06 | 6.74 | 4.87 | 3.66 | 7.99 | 6.03 | 4.05 | 9.76 | 7.37 | 4.55 |
| | | | Sensible | 1.98 | 1.45 | 1.25 | 3.15 | 2.25 | 1.45 | 3.74 | 2.74 | 2.16 | 4.83 | 3.52 | 2.63 | 5.56 | 4.16 | 2.72 | 6.70 | 5.05 | 3.07 |
| | 7 | 9 | Total | 1.60 | 1.06 | 0.92 | 3.83 | 2.65 | 1.64 | 4.38 | 3.04 | 2.29 | 5.36 | 3.68 | 2.73 | 6.14 | 4.42 | 2.91 | 8.29 | 6.12 | 3.63 |
| | | | Sensible | 1.57 | 1.06 | 0.92 | 2.85 | 1.98 | 1.26 | 3.35 | 2.36 | 1.82 | 4.28 | 3.03 | 2.25 | 4.81 | 3.51 | 2.27 | 6.11 | 4.54 | 2.69 |
| | 9 | 3 | Total | 3.23 | 2.50 | 2.20 | 4.86 | 3.55 | 2.39 | 5.78 | 4.34 | 3.52 | 7.98 | 5.94 | 4.53 | 9.06 | 6.97 | 4.69 | 10.38 | 7.95 | 5.00 |
| | | | Sensible | 2.26 | 1.73 | 1.51 | 3.32 | 2.39 | 1.59 | 3.98 | 2.94 | 2.36 | 5.34 | 3.96 | 2.98 | 5.98 | 4.53 | 2.99 | 6.94 | 5.27 | 3.24 |
| | 9 | 5 | Total | 2.62 | 1.97 | 1.72 | 4.29 | 3.10 | 2.04 | 5.06 | 3.76 | 3.01 | 6.69 | 4.92 | 3.72 | 7.85 | 6.00 | 4.06 | 9.24 | 7.03 | 4.39 |
| | | | Sensible | 2.03 | 1.52 | 1.32 | 3.07 | 2.20 | 1.44 | 3.67 | 2.70 | 2.15 | 4.82 | 3.55 | 2.66 | 5.50 | 4.14 | 2.72 | 6.49 | 4.91 | 3.00 |
| | 9 | 7 | Total | 1.82 | 1.26 | 1.09 | 3.67 | 2.59 | 1.64 | 4.26 | 3.10 | 2.37 | 5.37 | 3.85 | 2.81 | 6.27 | 4.67 | 3.14 | 7.87 | 5.89 | 3.58 |
| | | | Sensible | 1.69 | 1.21 | 1.04 | 2.79 | 1.96 | 1.26 | 3.31 | 2.41 | 1.86 | 4.29 | 3.12 | 2.30 | 4.87 | 3.61 | 2.35 | 5.95 | 4.45 | 2.67 |
| | 9 | 9 | Total | 1.28 | 0.85 | 0.75 | 2.88 | 1.98 | 1.19 | 3.28 | 2.23 | 1.64 | 4.20 | 2.85 | 2.14 | 4.54 | 3.22 | 2.15 | 6.46 | 4.68 | 2.65 |
| | | | Sensible | 1.28 | 0.85 | 0.75 | 2.43 | 1.69 | 1.05 | 2.86 | 1.98 | 1.50 | 3.75 | 2.59 | 1.93 | 4.13 | 2.98 | 1.96 | 5.36 | 3.95 | 2.28 |
| | 11 | 3 | Total | 2.62 | 2.02 | 1.78 | 4.00 | 2.93 | 1.97 | 4.75 | 3.57 | 2.89 | 6.52 | 4.84 | 3.70 | 7.47 | 5.75 | 3.89 | 8.58 | 6.57 | 4.14 |
| | | | Sensible | 2.03 | 1.54 | 1.34 | 2.97 | 2.14 | 1.42 | 3.56 | 2.63 | 2.11 | 4.75 | 3.52 | 2.65 | 5.34 | 4.04 | 2.65 | 6.22 | 4.72 | 2.89 |
| | 11 | 5 | Total | 1.92 | 1.40 | 1.21 | 3.45 | 2.48 | 1.60 | 4.06 | 3.00 | 2.38 | 5.31 | 3.86 | 2.92 | 6.14 | 4.67 | 3.17 | 7.35 | 5.55 | 3.44 |
| | | | Sensible | 1.75 | 1.29 | 1.11 | 2.72 | 1.94 | 1.25 | 3.25 | 2.38 | 1.89 | 4.27 | 3.13 | 2.34 | 4.82 | 3.61 | 2.36 | 5.74 | 4.32 | 2.62 |
| | 11 | 7 | Total | 1.41 | 0.99 | 0.85 | 2.80 | 1.92 | 1.20 | 3.24 | 2.25 | 1.71 | 4.19 | 2.96 | 2.17 | 4.68 | 3.43 | 2.29 | 6.07 | 4.47 | 2.64 |
| | | | Sensible | 1.41 | 0.99 | 0.85 | 2.42 | 1.67 | 1.06 | 2.87 | 2.01 | 1.55 | 3.79 | 2.70 | 1.97 | 4.20 | 3.09 | 2.02 | 5.21 | 3.88 | 2.29 |
| | 11 | 9 | Total | 0.97 | 0.67 | 0.62 | 2.20 | 1.48 | 0.89 | 2.45 | 1.66 | 1.21 | 3.17 | 2.22 | 1.66 | 3.50 | 2.44 | 1.73 | 5.06 | 3.61 | 2.01 |
| | | | Sensible | 0.97 | 0.67 | 0.62 | 2.05 | 1.40 | 0.87 | 2.36 | 1.62 | 1.21 | 3.04 | 2.16 | 1.62 | 3.44 | 2.44 | 1.68 | 4.68 | 3.40 | 1.93 |
| | 13 | 3 | Total | 1.96 | 1.50 | 1.32 | 3.16 | 2.30 | 1.53 | 3.75 | 2.81 | 2.26 | 5.10 | 3.78 | 2.87 | 5.79 | 4.44 | 3.02 | 6.69 | 5.09 | 3.20 |
| | | | Sensible | 1.79 | 1.35 | 1.17 | 2.63 | 1.88 | 1.24 | 3.15 | 2.32 | 1.85 | 4.20 | 3.10 | 2.33 | 4.70 | 3.53 | 2.31 | 5.50 | 4.16 | 2.53 |
| | 13 | 5 | Total | 1.48 | 1.07 | 0.92 | 2.61 | 1.84 | 1.16 | 3.07 | 2.23 | 1.73 | 4.09 | 2.97 | 2.23 | 4.59 | 3.44 | 2.32 | 5.60 | 4.18 | 2.53 |
| | | | Sensible | 1.48 | 1.07 | 0.92 | 2.36 | 1.66 | 1.06 | 2.82 | 2.04 | 1.59 | 3.77 | 2.76 | 2.05 | 4.19 | 3.11 | 2.03 | 5.04 | 3.76 | 2.25 |
| 13 | 7 | Total | 1.13 | 0.77 | 0.66 | 2.09 | 1.44 | 0.88 | 2.46 | 1.69 | 1.27 | 3.29 | 2.23 | 1.68 | 3.62 | 2.62 | 1.73 | 4.76 | 3.46 | 2.00 | |
| | | Sensible | 1.13 | 0.77 | 0.66 | 2.01 | 1.39 | 0.86 | 2.40 | 1.66 | 1.27 | 3.20 | 2.20 | 1.65 | 3.56 | 2.59 | 1.70 | 4.55 | 3.34 | 1.94 | |
| 13 | 9 | Total | 0.66 | 0.52 | 0.49 | 1.68 | 1.12 | 0.69 | 1.88 | 1.24 | 0.92 | 2.42 | 1.70 | 1.29 | 2.60 | 1.83 | 1.38 | 3.99 | 2.82 | 1.58 | |
| | | Sensible | 0.66 | 0.52 | 0.49 | 1.68 | 1.12 | 0.69 | 1.88 | 1.24 | 0.92 | 2.42 | 1.70 | 1.29 | 2.60 | 1.83 | 1.38 | 3.99 | 2.82 | 1.58 | |

EAT : Entering Air temperature °C
EWT : Entering Water Temperature °C

ΔT : water rise temperature °C
WB : Wet bulb

DB : Dry bulb

COOLING CAPACITIES IN kW , 4 PIPE

| EAT | EWT | ΔT | Size | 61 AC | | | 62AC | | | 63 AC | | | 93 AC | | | 94 AC | | |
|--------------|-----|----------|----------|--------|------|------|--------|------|------|--------|------|------|--------|------|------|--------|------|------|
| | | | Speed | 1 | 2 | 3 | 1 | 2 | 3 | 1 | 2 | 3 | 1 | 2 | 3 | 1 | 2 | 3 |
| | | | Size | 61 HEE | | | 62 HEE | | | 63 HEE | | | 93 HEE | | | 94 HEE | | |
| | | | Voltage | 10 V | 6 V | 2 V | 10 V | 6 V | 2 V | 10 V | 6 V | 2 V | 10 V | 6 V | 2 V | 9 V | 6 V | 2 V |
| 23°DB/17°CWB | 5 | 3 | Total | 2,75 | 2,08 | 1,80 | 3,78 | 2,97 | 2,21 | 4,72 | 3,80 | 3,09 | 7,40 | 5,60 | 3,52 | 8,91 | 7,47 | 4,25 |
| | | | Sensible | 1,99 | 1,48 | 1,26 | 2,63 | 2,03 | 1,48 | 3,34 | 2,63 | 2,12 | 5,05 | 3,79 | 2,37 | 6,10 | 5,03 | 2,85 |
| | 5 | 5 | Total | 2,02 | 1,52 | 1,34 | 3,18 | 2,47 | 1,81 | 3,58 | 2,85 | 2,20 | 6,08 | 4,52 | 2,61 | 7,39 | 6,26 | 3,32 |
| | | | Sensible | 1,68 | 1,24 | 1,06 | 2,34 | 1,79 | 1,29 | 2,80 | 2,18 | 1,70 | 4,44 | 3,28 | 1,95 | 5,41 | 4,47 | 2,42 |
| | 5 | 7 | Total | 1,43 | 1,08 | 0,97 | 2,43 | 1,83 | 1,36 | 1,93 | 1,54 | 1,19 | 4,45 | 3,02 | 1,58 | 5,61 | 4,77 | 2,10 |
| | | | Sensible | 1,39 | 1,03 | 0,90 | 1,96 | 1,48 | 1,07 | 1,90 | 1,50 | 1,17 | 3,69 | 2,57 | 1,42 | 4,58 | 3,79 | 1,82 |
| | 5 | 9 | Total | 1,09 | 0,83 | 0,76 | 1,58 | 1,17 | 0,93 | 1,16 | 1,06 | 0,90 | 2,73 | 1,88 | 1,08 | 3,59 | 3,08 | 1,32 |
| | | | Sensible | 1,09 | 0,83 | 0,76 | 1,49 | 1,11 | 0,85 | 1,16 | 1,06 | 0,90 | 2,61 | 1,83 | 1,07 | 3,38 | 2,83 | 1,31 |
| | 7 | 3 | Total | 2,17 | 1,65 | 1,43 | 3,08 | 2,41 | 1,80 | 3,80 | 3,06 | 2,47 | 6,00 | 4,54 | 2,82 | 7,23 | 6,08 | 3,43 |
| | | | Sensible | 1,74 | 1,29 | 1,10 | 2,31 | 1,78 | 1,29 | 2,92 | 2,29 | 1,84 | 4,41 | 3,30 | 2,05 | 5,35 | 4,39 | 2,47 |
| | 7 | 5 | Total | 1,52 | 1,14 | 1,01 | 2,49 | 1,88 | 1,40 | 2,61 | 2,02 | 1,51 | 4,66 | 3,41 | 1,84 | 5,73 | 4,85 | 2,41 |
| | | | Sensible | 1,45 | 1,08 | 0,93 | 2,02 | 1,51 | 1,10 | 2,33 | 1,78 | 1,37 | 3,79 | 2,78 | 1,59 | 4,66 | 3,83 | 2,01 |
| | 7 | 7 | Total | 1,16 | 0,88 | 0,78 | 1,70 | 1,25 | 0,94 | 1,41 | 1,14 | 0,92 | 3,08 | 2,13 | 1,14 | 4,06 | 3,39 | 1,48 |
| | | | Sensible | 1,16 | 0,88 | 0,78 | 1,58 | 1,17 | 0,86 | 1,41 | 1,14 | 0,92 | 2,90 | 2,02 | 1,13 | 3,79 | 3,09 | 1,44 |
| | 7 | 9 | Total | 0,82 | 0,64 | 0,60 | 1,12 | 0,87 | 0,69 | 0,88 | 0,81 | 0,70 | 1,90 | 1,33 | 0,85 | 2,52 | 2,16 | 1,01 |
| | | | Sensible | 0,82 | 0,64 | 0,60 | 1,12 | 0,87 | 0,68 | 0,88 | 0,81 | 0,70 | 1,90 | 1,33 | 0,85 | 2,52 | 2,15 | 1,01 |
| | 9 | 3 | Total | 1,60 | 1,18 | 1,03 | 2,38 | 1,86 | 1,39 | 2,89 | 2,31 | 1,85 | 4,61 | 3,48 | 2,12 | 5,57 | 4,70 | 2,60 |
| | | | Sensible | 1,51 | 1,10 | 0,93 | 1,98 | 1,52 | 1,10 | 2,49 | 1,94 | 1,55 | 3,79 | 2,83 | 1,74 | 4,60 | 3,77 | 2,10 |
| | 9 | 5 | Total | 1,22 | 0,91 | 0,80 | 1,73 | 1,31 | 0,97 | 1,79 | 1,38 | 1,07 | 3,34 | 2,39 | 1,29 | 4,15 | 3,51 | 1,65 |
| | | | Sensible | 1,22 | 0,91 | 0,80 | 1,62 | 1,22 | 0,89 | 1,79 | 1,37 | 1,07 | 3,14 | 2,25 | 1,25 | 3,89 | 3,20 | 1,57 |
| | 9 | 7 | Total | 0,89 | 0,67 | 0,61 | 1,21 | 0,89 | 0,68 | 0,92 | 0,83 | 0,71 | 2,15 | 1,50 | 0,84 | 2,81 | 2,33 | 1,07 |
| | | | Sensible | 0,89 | 0,67 | 0,61 | 1,21 | 0,89 | 0,68 | 0,92 | 0,83 | 0,71 | 2,15 | 1,50 | 0,84 | 2,81 | 2,31 | 1,07 |
| | 9 | 9 | Total | 0,57 | 0,49 | 0,47 | 0,79 | 0,62 | 0,50 | 0,61 | 0,58 | 0,51 | 1,15 | 0,92 | 0,62 | 1,55 | 1,41 | 0,74 |
| | | | Sensible | 0,57 | 0,49 | 0,47 | 0,79 | 0,62 | 0,50 | 0,61 | 0,58 | 0,51 | 1,15 | 0,92 | 0,62 | 1,55 | 1,41 | 0,74 |
| 11 | 3 | Total | 1,26 | 0,93 | 0,81 | 1,70 | 1,31 | 0,95 | 2,07 | 1,61 | 1,26 | 3,32 | 2,46 | 1,46 | 4,04 | 3,39 | 1,81 | |
| | | Sensible | 1,26 | 0,93 | 0,81 | 1,64 | 1,25 | 0,89 | 2,05 | 1,58 | 1,25 | 3,18 | 2,35 | 1,41 | 3,88 | 3,18 | 1,73 | |
| 11 | 5 | Total | 0,94 | 0,71 | 0,63 | 1,26 | 0,94 | 0,68 | 1,25 | 0,99 | 0,77 | 2,45 | 1,66 | 0,93 | 3,08 | 2,55 | 1,19 | |
| | | Sensible | 0,94 | 0,71 | 0,63 | 1,26 | 0,94 | 0,68 | 1,25 | 0,99 | 0,77 | 2,45 | 1,66 | 0,93 | 3,08 | 2,55 | 1,19 | |
| 11 | 7 | Total | 0,60 | 0,47 | 0,44 | 0,81 | 0,63 | 0,50 | 0,63 | 0,58 | 0,50 | 1,38 | 0,96 | 0,61 | 1,83 | 1,57 | 0,73 | |
| | | Sensible | 0,60 | 0,47 | 0,44 | 0,81 | 0,63 | 0,50 | 0,63 | 0,58 | 0,50 | 1,38 | 0,96 | 0,61 | 1,83 | 1,57 | 0,73 | |
| 11 | 9 | Total | 0,39 | 0,34 | 0,33 | 0,46 | 0,37 | 0,31 | 0,38 | 0,37 | 0,33 | 0,70 | 0,59 | 0,41 | 0,81 | 0,81 | 0,48 | |
| | | Sensible | 0,39 | 0,34 | 0,33 | 0,46 | 0,37 | 0,31 | 0,38 | 0,37 | 0,33 | 0,70 | 0,59 | 0,41 | 0,81 | 0,81 | 0,48 | |
| 13 | 3 | Total | 0,98 | 0,73 | 0,63 | 1,30 | 0,95 | 0,69 | 1,57 | 1,20 | 0,92 | 2,51 | 1,84 | 1,04 | 3,10 | 2,54 | 1,33 | |
| | | Sensible | 0,98 | 0,73 | 0,63 | 1,30 | 0,95 | 0,69 | 1,57 | 1,20 | 0,92 | 2,51 | 1,84 | 1,04 | 3,10 | 2,54 | 1,33 | |
| 13 | 5 | Total | 0,65 | 0,49 | 0,45 | 0,89 | 0,65 | 0,49 | 0,71 | 0,60 | 0,51 | 1,59 | 1,12 | 0,61 | 2,13 | 1,70 | 0,79 | |
| | | Sensible | 0,65 | 0,49 | 0,45 | 0,89 | 0,65 | 0,49 | 0,71 | 0,60 | 0,51 | 1,59 | 1,12 | 0,61 | 2,13 | 1,70 | 0,79 | |
| 13 | 7 | Total | 0,37 | 0,32 | 0,30 | 0,47 | 0,38 | 0,31 | 0,37 | 0,36 | 0,31 | 0,68 | 0,57 | 0,39 | 0,81 | 0,79 | 0,46 | |
| | | Sensible | 0,37 | 0,32 | 0,30 | 0,47 | 0,38 | 0,31 | 0,37 | 0,36 | 0,31 | 0,68 | 0,57 | 0,39 | 0,81 | 0,79 | 0,46 | |
| 13 | 9 | Total | 0,21 | 0,18 | 0,18 | 0,16 | 0,14 | 0,14 | 0,17 | 0,17 | 0,15 | 0,32 | 0,28 | 0,20 | 0,37 | 0,38 | 0,23 | |
| | | Sensible | 0,21 | 0,18 | 0,18 | 0,16 | 0,14 | 0,14 | 0,17 | 0,17 | 0,15 | 0,32 | 0,28 | 0,20 | 0,37 | 0,38 | 0,23 | |

EAT : Entering Air temperature °C
EWT : Entering Water Temperature °C

ΔT : water rise temperature °C
WB : Wet bulb

DB : Dry bulb

COOLING CAPACITIES IN kW , 4 PIPE

| EAT | EWT | ΔT | Size | 61 AC | | | 62AC | | | 63 AC | | | 93 AC | | | 94 AC | | |
|---------------|-----|----------|----------|--------|------|------|--------|------|------|--------|------|------|--------|------|------|--------|------|------|
| | | | Speed | 1 | 2 | 3 | 1 | 2 | 3 | 1 | 2 | 3 | 1 | 2 | 3 | 1 | 2 | 3 |
| | | | Size | 61 HEE | | | 62 HEE | | | 63 HEE | | | 93 HEE | | | 94 HEE | | |
| | | | Voltage | 10 V | 6 V | 2 V | 10 V | 6 V | 2 V | 10 V | 6 V | 2 V | 10 V | 6 V | 2 V | 9 V | 6 V | 2 V |
| 25°DB/19° CWB | 5 | 3 | Total | 3,53 | 2,67 | 2,30 | 4,74 | 3,73 | 2,77 | 6,03 | 4,84 | 3,95 | 9,34 | 7,09 | 4,48 | 11,22 | 9,40 | 5,36 |
| | | | Sensible | 2,24 | 1,67 | 1,42 | 2,93 | 2,28 | 1,67 | 3,76 | 2,97 | 2,41 | 5,68 | 4,28 | 2,69 | 6,86 | 5,67 | 3,23 |
| | 5 | 5 | Total | 2,83 | 2,13 | 1,86 | 4,15 | 3,25 | 2,41 | 4,93 | 3,95 | 3,16 | 8,02 | 6,07 | 3,68 | 9,68 | 8,17 | 4,52 |
| | | | Sensible | 1,95 | 1,44 | 1,23 | 2,68 | 2,07 | 1,51 | 3,29 | 2,58 | 2,06 | 5,10 | 3,82 | 2,33 | 6,18 | 5,12 | 2,84 |
| | 5 | 7 | Total | 2,01 | 1,53 | 1,37 | 3,48 | 2,63 | 1,96 | 3,45 | 2,64 | 1,97 | 6,48 | 4,74 | 2,50 | 7,99 | 6,76 | 3,31 |
| | | | Sensible | 1,62 | 1,20 | 1,04 | 2,37 | 1,78 | 1,30 | 2,63 | 1,99 | 1,53 | 4,42 | 3,24 | 1,82 | 5,44 | 4,50 | 2,32 |
| | 5 | 9 | Total | 1,41 | 1,07 | 0,98 | 2,58 | 1,91 | 1,42 | 1,60 | 1,36 | 1,14 | 4,44 | 2,96 | 1,47 | 5,85 | 5,03 | 1,99 |
| | | | Sensible | 1,34 | 1,00 | 0,89 | 1,96 | 1,46 | 1,06 | 1,60 | 1,33 | 1,11 | 3,55 | 2,45 | 1,33 | 4,52 | 3,76 | 1,71 |
| | 7 | 3 | Total | 2,95 | 2,24 | 1,94 | 4,03 | 3,18 | 2,37 | 5,08 | 4,09 | 3,34 | 7,95 | 6,04 | 3,81 | 9,55 | 8,02 | 4,57 |
| | | | Sensible | 1,99 | 1,48 | 1,26 | 2,62 | 2,03 | 1,49 | 3,35 | 2,64 | 2,14 | 5,06 | 3,80 | 2,39 | 6,11 | 5,04 | 2,86 |
| | 7 | 5 | Total | 2,21 | 1,67 | 1,47 | 3,42 | 2,67 | 1,97 | 3,93 | 3,14 | 2,49 | 6,56 | 4,92 | 2,93 | 7,93 | 6,73 | 3,63 |
| | | | Sensible | 1,70 | 1,25 | 1,07 | 2,36 | 1,81 | 1,31 | 2,85 | 2,23 | 1,77 | 4,47 | 3,32 | 2,01 | 5,42 | 4,48 | 2,46 |
| | 7 | 7 | Total | 1,51 | 1,14 | 1,02 | 2,67 | 2,02 | 1,50 | 2,16 | 1,71 | 1,29 | 4,90 | 3,46 | 1,74 | 6,14 | 5,23 | 2,30 |
| | | | Sensible | 1,41 | 1,05 | 0,91 | 2,01 | 1,51 | 1,10 | 2,01 | 1,57 | 1,22 | 3,76 | 2,71 | 1,48 | 4,65 | 3,84 | 1,88 |
| | 7 | 9 | Total | 1,13 | 0,85 | 0,75 | 1,72 | 1,25 | 0,99 | 1,18 | 1,07 | 0,91 | 2,92 | 2,01 | 1,10 | 3,96 | 3,34 | 1,40 |
| | | | Sensible | 1,13 | 0,85 | 0,74 | 1,54 | 1,14 | 0,86 | 1,18 | 1,07 | 0,91 | 2,71 | 1,90 | 1,08 | 3,57 | 2,92 | 1,35 |
| | 9 | 3 | Total | 2,34 | 1,78 | 1,54 | 3,28 | 2,58 | 1,94 | 4,08 | 3,30 | 2,68 | 6,45 | 4,89 | 3,07 | 7,75 | 6,54 | 3,71 |
| | | | Sensible | 1,75 | 1,30 | 1,10 | 2,30 | 1,78 | 1,30 | 2,93 | 2,30 | 1,85 | 4,42 | 3,31 | 2,07 | 5,35 | 4,40 | 2,49 |
| | 9 | 5 | Total | 1,60 | 1,20 | 1,04 | 2,67 | 2,06 | 1,52 | 2,88 | 2,28 | 1,71 | 5,06 | 3,74 | 2,03 | 6,18 | 5,24 | 2,72 |
| | | | Sensible | 1,47 | 1,09 | 0,91 | 2,03 | 1,54 | 1,11 | 2,39 | 1,86 | 1,42 | 3,83 | 2,83 | 1,63 | 4,68 | 3,86 | 2,08 |
| | 9 | 7 | Total | 1,19 | 0,90 | 0,76 | 1,83 | 1,36 | 1,00 | 1,50 | 1,20 | 0,94 | 3,39 | 2,27 | 1,21 | 4,36 | 3,72 | 1,57 |
| | | | Sensible | 1,19 | 0,90 | 0,76 | 1,61 | 1,21 | 0,88 | 1,50 | 1,20 | 0,94 | 3,05 | 2,08 | 1,16 | 3,85 | 3,19 | 1,47 |
| | 9 | 9 | Total | 0,85 | 0,65 | 0,61 | 1,16 | 0,90 | 0,71 | 0,89 | 0,82 | 0,71 | 2,00 | 1,39 | 0,85 | 2,63 | 2,28 | 1,02 |
| | | | Sensible | 0,85 | 0,65 | 0,61 | 1,15 | 0,89 | 0,69 | 0,89 | 0,82 | 0,71 | 2,00 | 1,39 | 0,85 | 2,62 | 2,22 | 1,02 |
| | 11 | 3 | Total | 1,70 | 1,28 | 1,12 | 2,53 | 1,99 | 1,49 | 3,10 | 2,49 | 2,00 | 4,93 | 3,74 | 2,30 | 5,95 | 5,03 | 2,80 |
| | | | Sensible | 1,50 | 1,11 | 0,94 | 1,99 | 1,53 | 1,11 | 2,51 | 1,96 | 1,57 | 3,79 | 2,83 | 1,75 | 4,61 | 3,78 | 2,12 |
| | 11 | 5 | Total | 1,24 | 0,93 | 0,79 | 1,86 | 1,40 | 1,04 | 1,91 | 1,45 | 1,11 | 3,56 | 2,58 | 1,37 | 4,43 | 3,74 | 1,76 |
| | | | Sensible | 1,24 | 0,93 | 0,78 | 1,66 | 1,24 | 0,90 | 1,87 | 1,42 | 1,10 | 3,18 | 2,33 | 1,28 | 3,92 | 3,22 | 1,61 |
| | 11 | 7 | Total | 0,91 | 0,69 | 0,62 | 1,25 | 0,91 | 0,70 | 0,97 | 0,84 | 0,72 | 2,22 | 1,56 | 0,86 | 2,99 | 2,44 | 1,10 |
| | | | Sensible | 0,91 | 0,69 | 0,62 | 1,24 | 0,91 | 0,69 | 0,97 | 0,84 | 0,72 | 2,21 | 1,56 | 0,86 | 2,93 | 2,36 | 1,10 |
| | 11 | 9 | Total | 0,58 | 0,49 | 0,47 | 0,81 | 0,63 | 0,51 | 0,62 | 0,59 | 0,51 | 1,22 | 0,93 | 0,63 | 1,66 | 1,49 | 0,75 |
| | | | Sensible | 0,58 | 0,49 | 0,47 | 0,81 | 0,63 | 0,51 | 0,62 | 0,59 | 0,51 | 1,22 | 0,93 | 0,63 | 1,66 | 1,49 | 0,75 |
| | 13 | 3 | Total | 1,27 | 0,94 | 0,79 | 1,79 | 1,39 | 1,03 | 2,15 | 1,69 | 1,34 | 3,48 | 2,60 | 1,55 | 4,22 | 3,56 | 1,92 |
| | | | Sensible | 1,27 | 0,94 | 0,79 | 1,66 | 1,27 | 0,91 | 2,06 | 1,60 | 1,28 | 3,18 | 2,36 | 1,43 | 3,88 | 3,18 | 1,75 |
| | 13 | 5 | Total | 0,96 | 0,72 | 0,64 | 1,28 | 0,96 | 0,70 | 1,31 | 1,03 | 0,80 | 2,51 | 1,70 | 0,96 | 3,15 | 2,63 | 1,22 |
| | | | Sensible | 0,96 | 0,72 | 0,64 | 1,28 | 0,95 | 0,70 | 1,31 | 1,03 | 0,80 | 2,50 | 1,70 | 0,96 | 3,12 | 2,57 | 1,22 |
| 13 | 7 | Total | 0,62 | 0,47 | 0,44 | 0,84 | 0,65 | 0,50 | 0,64 | 0,59 | 0,51 | 1,45 | 1,01 | 0,61 | 1,91 | 1,63 | 0,73 | |
| | | Sensible | 0,62 | 0,47 | 0,44 | 0,84 | 0,65 | 0,50 | 0,64 | 0,59 | 0,51 | 1,45 | 1,01 | 0,61 | 1,91 | 1,63 | 0,73 | |
| 13 | 9 | Total | 0,40 | 0,34 | 0,33 | 0,47 | 0,38 | 0,32 | 0,38 | 0,37 | 0,33 | 0,71 | 0,59 | 0,41 | 0,82 | 0,82 | 0,49 | |
| | | Sensible | 0,40 | 0,34 | 0,33 | 0,47 | 0,38 | 0,32 | 0,38 | 0,37 | 0,33 | 0,71 | 0,59 | 0,41 | 0,82 | 0,82 | 0,49 | |

EAT : Entering Air temperature °C
EWT : Entering Water Temperature °C

ΔT : water rise temperature °C
WB : Wet bulb

DB : Dry bulb

COOLING CAPACITIES IN kW , 4 PIPE

| EAT | EWT | ΔT | Size | 61 AC | | | 62 AC | | | 63 AC | | | 93 AC | | | 94 AC | | |
|--------------|-----|----------|----------|--------|------|------|--------|------|------|--------|------|------|--------|------|------|--------|------|------|
| | | | Speed | 1 | 2 | 3 | 1 | 2 | 3 | 1 | 2 | 3 | 1 | 2 | 3 | 1 | 2 | 3 |
| | | | Size | 61 HEE | | | 62 HEE | | | 63 HEE | | | 93 HEE | | | 94 HEE | | |
| | | | Voltage | 10 V | 6 V | 2 V | 10 V | 6 V | 2 V | 10 V | 6 V | 2 V | 10 V | 6 V | 2 V | 9 V | 6 V | 2 V |
| 27°DB/17°CWB | 5 | 3 | Total | 3.53 | 2.67 | 2.30 | 4.73 | 3.73 | 2.77 | 6.03 | 4.84 | 3.95 | 9.34 | 7.09 | 4.47 | 11.22 | 9.39 | 5.36 |
| | | | Sensible | 2.54 | 1.89 | 1.60 | 3.30 | 2.56 | 1.86 | 4.25 | 3.34 | 2.70 | 6.37 | 4.79 | 3.01 | 7.70 | 6.33 | 3.60 |
| | 5 | 5 | Total | 2.83 | 2.13 | 1.86 | 4.17 | 3.26 | 2.43 | 5.00 | 3.99 | 3.19 | 8.05 | 6.08 | 3.69 | 9.74 | 8.20 | 4.53 |
| | | | Sensible | 2.25 | 1.66 | 1.41 | 3.04 | 2.34 | 1.70 | 3.78 | 2.95 | 2.36 | 5.79 | 4.33 | 2.65 | 7.03 | 5.79 | 3.22 |
| | 5 | 7 | Total | 2.12 | 1.59 | 1.37 | 3.56 | 2.69 | 2.00 | 3.67 | 2.84 | 2.14 | 6.65 | 4.88 | 2.59 | 8.19 | 6.92 | 3.44 |
| | | | Sensible | 1.96 | 1.45 | 1.22 | 2.75 | 2.06 | 1.50 | 3.15 | 2.40 | 1.86 | 5.15 | 3.78 | 2.15 | 6.32 | 5.20 | 2.73 |
| | 5 | 9 | Total | 1.70 | 1.24 | 1.11 | 2.72 | 2.03 | 1.50 | 2.20 | 1.76 | 1.37 | 5.01 | 3.38 | 1.77 | 6.36 | 5.41 | 2.34 |
| | | | Sensible | 1.70 | 1.24 | 1.08 | 2.33 | 1.74 | 1.27 | 2.20 | 1.75 | 1.37 | 4.38 | 3.02 | 1.68 | 5.48 | 4.53 | 2.14 |
| | 7 | 3 | Total | 2.95 | 2.24 | 1.94 | 4.02 | 3.18 | 2.37 | 5.09 | 4.09 | 3.34 | 7.94 | 6.03 | 3.81 | 9.54 | 8.01 | 4.56 |
| | | | Sensible | 2.30 | 1.70 | 1.45 | 2.98 | 2.31 | 1.68 | 3.83 | 3.00 | 2.43 | 5.74 | 4.31 | 2.70 | 6.95 | 8.01 | 4.56 |
| | 7 | 5 | Total | 2.20 | 1.65 | 1.45 | 3.50 | 2.70 | 2.00 | 4.10 | 3.25 | 2.60 | 6.70 | 5.00 | 3.00 | 8.08 | 6.80 | 3.80 |
| | | | Sensible | 2.00 | 1.48 | 1.27 | 2.70 | 2.10 | 1.50 | 3.30 | 2.60 | 2.05 | 5.10 | 3.80 | 2.20 | 6.29 | 5.20 | 2.70 |
| | 7 | 7 | Total | 1.73 | 1.29 | 1.15 | 2.79 | 2.10 | 1.56 | 2.70 | 2.08 | 1.58 | 5.22 | 3.78 | 1.99 | 6.48 | 5.48 | 2.58 |
| | | | Sensible | 1.73 | 1.27 | 1.10 | 2.38 | 1.79 | 1.30 | 2.61 | 2.00 | 1.55 | 4.51 | 3.29 | 1.82 | 5.57 | 4.57 | 2.30 |
| | 7 | 9 | Total | 1.43 | 1.08 | 0.97 | 2.06 | 1.51 | 1.13 | 1.71 | 1.39 | 1.14 | 3.74 | 2.59 | 1.39 | 4.94 | 4.09 | 1.81 |
| | | | Sensible | 1.43 | 1.08 | 0.97 | 1.95 | 1.44 | 1.07 | 1.71 | 1.39 | 1.14 | 3.57 | 2.51 | 1.39 | 4.68 | 3.80 | 1.78 |
| | 9 | 3 | Total | 2.34 | 1.78 | 1.54 | 3.31 | 2.60 | 1.95 | 4.15 | 3.34 | 2.71 | 6.49 | 4.92 | 3.09 | 7.82 | 6.58 | 3.73 |
| | | | Sensible | 2.05 | 1.52 | 1.28 | 2.67 | 2.05 | 1.49 | 3.41 | 2.67 | 2.15 | 5.11 | 3.82 | 2.38 | 6.20 | 5.08 | 2.87 |
| | 9 | 5 | Total | 1.79 | 1.34 | 1.17 | 2.76 | 2.13 | 1.56 | 3.11 | 2.47 | 1.88 | 5.26 | 3.89 | 2.23 | 6.41 | 5.43 | 2.85 |
| | | | Sensible | 1.77 | 1.31 | 1.12 | 2.39 | 1.82 | 1.30 | 2.89 | 2.25 | 1.75 | 4.55 | 3.36 | 1.99 | 5.56 | 4.56 | 2.48 |
| | 9 | 7 | Total | 1.49 | 1.11 | 0.98 | 2.10 | 1.57 | 1.15 | 2.09 | 1.63 | 1.26 | 4.03 | 2.81 | 1.53 | 5.05 | 4.24 | 1.97 |
| | | | Sensible | 1.49 | 1.11 | 0.98 | 1.99 | 1.49 | 1.08 | 2.09 | 1.63 | 1.26 | 3.85 | 2.69 | 1.51 | 4.80 | 3.95 | 1.91 |
| | 9 | 9 | Total | 1.16 | 0.88 | 0.79 | 1.58 | 1.16 | 0.89 | 1.23 | 1.09 | 0.92 | 2.84 | 1.99 | 1.10 | 3.73 | 3.07 | 1.41 |
| | | | Sensible | 1.16 | 0.88 | 0.79 | 1.58 | 1.16 | 0.89 | 1.23 | 1.09 | 0.92 | 2.84 | 1.99 | 1.10 | 3.73 | 3.04 | 1.41 |
| 11 | 3 | Total | 1.83 | 1.37 | 1.18 | 2.61 | 2.04 | 1.53 | 3.24 | 2.59 | 2.08 | 5.07 | 3.83 | 2.36 | 6.13 | 5.16 | 2.88 | |
| | | Sensible | 1.81 | 1.34 | 1.14 | 2.35 | 1.80 | 1.30 | 2.99 | 2.33 | 1.87 | 4.50 | 3.35 | 2.07 | 5.47 | 4.47 | 2.50 | |
| 11 | 5 | Total | 1.53 | 1.14 | 0.99 | 2.11 | 1.57 | 1.15 | 2.44 | 1.86 | 1.43 | 4.06 | 2.98 | 1.67 | 5.01 | 4.17 | 2.13 | |
| | | Sensible | 1.53 | 1.14 | 0.99 | 2.04 | 1.51 | 1.10 | 2.44 | 1.85 | 1.43 | 3.92 | 2.87 | 1.63 | 4.83 | 3.96 | 2.06 | |
| 11 | 7 | Total | 1.21 | 0.91 | 0.81 | 1.63 | 1.21 | 0.89 | 1.58 | 1.25 | 0.97 | 3.13 | 2.15 | 1.20 | 3.99 | 3.31 | 1.53 | |
| | | Sensible | 1.21 | 0.91 | 0.81 | 1.63 | 1.21 | 0.89 | 1.58 | 1.25 | 0.97 | 3.13 | 2.15 | 1.20 | 3.99 | 3.29 | 1.53 | |
| 11 | 9 | Total | 0.88 | 0.67 | 0.62 | 1.19 | 0.91 | 0.70 | 0.91 | 0.83 | 0.72 | 2.08 | 1.45 | 0.86 | 2.73 | 2.32 | 1.03 | |
| | | Sensible | 0.88 | 0.67 | 0.62 | 1.19 | 0.91 | 0.70 | 0.91 | 0.83 | 0.72 | 2.08 | 1.45 | 0.86 | 2.73 | 2.32 | 1.03 | |
| 13 | 3 | Total | 1.56 | 1.15 | 0.99 | 2.01 | 1.54 | 1.12 | 2.55 | 1.97 | 1.57 | 3.93 | 2.92 | 1.78 | 4.79 | 3.95 | 2.17 | |
| | | Sensible | 1.56 | 1.15 | 0.99 | 2.00 | 1.53 | 1.09 | 2.55 | 1.97 | 1.57 | 3.88 | 2.88 | 1.76 | 4.74 | 3.87 | 2.14 | |
| 13 | 5 | Total | 1.25 | 0.94 | 0.82 | 1.66 | 1.24 | 0.90 | 1.93 | 1.45 | 1.13 | 3.25 | 2.36 | 1.31 | 4.03 | 3.32 | 1.64 | |
| | | Sensible | 1.25 | 0.94 | 0.82 | 1.66 | 1.24 | 0.90 | 1.93 | 1.45 | 1.13 | 3.25 | 2.36 | 1.31 | 4.03 | 3.32 | 1.64 | |
| 13 | 7 | Total | 0.93 | 0.70 | 0.63 | 1.27 | 0.93 | 0.70 | 1.05 | 0.87 | 0.73 | 2.28 | 1.61 | 0.88 | 3.07 | 2.45 | 1.13 | |
| | | Sensible | 0.93 | 0.70 | 0.63 | 1.27 | 0.93 | 0.70 | 1.05 | 0.87 | 0.73 | 2.28 | 1.61 | 0.88 | 3.07 | 2.45 | 1.13 | |
| 13 | 9 | Total | 0.59 | 0.49 | 0.47 | 0.83 | 0.65 | 0.52 | 0.63 | 0.60 | 0.52 | 1.30 | 0.94 | 0.63 | 1.75 | 1.55 | 0.75 | |
| | | Sensible | 0.59 | 0.49 | 0.47 | 0.83 | 0.65 | 0.52 | 0.63 | 0.60 | 0.52 | 1.30 | 0.94 | 0.63 | 1.75 | 1.55 | 0.75 | |

EAT : Entering Air temperature °C
EWT : Entering Water Temperature °C

ΔT : water rise temperature °C
WB : Wet bulb

DB : Dry bulb



COOLING CAPACITIES IN kW , 4 PIPE

| EAT | EWT | ΔT | Size | 61 AC | | | 62AC | | | 63 AC | | | 93 AC | | | 94 AC | | |
|--------------|-----|----|----------|--------|------|------|--------|------|------|--------|------|------|--------|------|------|--------|-------|------|
| | | | Speed | 1 | 2 | 3 | 1 | 2 | 3 | 1 | 2 | 3 | 1 | 2 | 3 | 1 | 2 | 3 |
| | | | Size | 61 HEE | | | 62 HEE | | | 63 HEE | | | 93 HEE | | | 94 HEE | | |
| | | | Voltage | 10 V | 6 V | 2 V | 10 V | 6 V | 2 V | 10 V | 6 V | 2 V | 10 V | 6 V | 2 V | 9 V | 6 V | 2 V |
| 29°DB/19°CWB | 5 | 3 | Total | 4.38 | 3.31 | 2.84 | 5.78 | 4.54 | 3.38 | 7.42 | 5.95 | 4.86 | 11.41 | 8.67 | 5.49 | 13.70 | 11.45 | 6.57 |
| | | | Sensible | 2.80 | 2.08 | 1.77 | 3.61 | 2.80 | 2.05 | 4.66 | 3.68 | 2.98 | 6.99 | 5.27 | 3.32 | 8.44 | 6.96 | 3.97 |
| | 5 | 5 | Total | 3.68 | 2.79 | 2.42 | 5.21 | 4.09 | 3.05 | 6.40 | 5.15 | 4.16 | 10.16 | 7.70 | 4.78 | 12.24 | 10.30 | 5.81 |
| | | | Sensible | 2.51 | 1.86 | 1.58 | 3.37 | 2.60 | 1.90 | 4.23 | 3.33 | 2.68 | 6.45 | 4.84 | 3.01 | 7.81 | 6.45 | 3.63 |
| | 5 | 7 | Total | 2.89 | 2.19 | 1.93 | 4.56 | 3.56 | 2.61 | 5.13 | 4.10 | 3.19 | 8.74 | 6.50 | 3.80 | 10.58 | 8.98 | 4.78 |
| | | | Sensible | 2.20 | 1.62 | 1.39 | 3.09 | 2.37 | 1.71 | 3.68 | 2.87 | 2.26 | 5.84 | 4.33 | 2.58 | 7.10 | 5.88 | 3.19 |
| | 5 | 9 | Total | 2.13 | 1.59 | 1.41 | 3.84 | 2.90 | 2.16 | 3.28 | 2.60 | 1.89 | 7.06 | 5.11 | 2.53 | 8.79 | 7.47 | 3.40 |
| | | | Sensible | 1.92 | 1.42 | 1.20 | 2.76 | 2.07 | 1.50 | 2.84 | 2.21 | 1.69 | 5.12 | 3.74 | 2.05 | 6.33 | 5.23 | 2.62 |
| | 7 | 3 | Total | 3.79 | 2.87 | 2.48 | 5.06 | 3.99 | 2.98 | 6.47 | 5.21 | 4.25 | 10.02 | 7.62 | 4.82 | 12.02 | 10.08 | 5.78 |
| | | | Sensible | 2.55 | 1.89 | 1.61 | 3.30 | 2.55 | 1.87 | 4.25 | 3.35 | 2.71 | 6.37 | 4.80 | 3.02 | 7.70 | 6.34 | 3.61 |
| | 7 | 5 | Total | 3.08 | 2.32 | 2.02 | 4.46 | 3.50 | 2.62 | 5.42 | 4.35 | 3.50 | 8.66 | 6.56 | 4.03 | 10.45 | 8.82 | 4.92 |
| | | | Sensible | 2.27 | 1.67 | 1.43 | 3.05 | 2.35 | 1.71 | 3.82 | 2.99 | 2.39 | 5.81 | 4.35 | 2.68 | 7.05 | 5.80 | 3.25 |
| | 7 | 7 | Total | 2.22 | 1.69 | 1.51 | 3.82 | 2.95 | 2.17 | 4.09 | 3.25 | 2.43 | 7.23 | 5.34 | 2.94 | 8.83 | 7.49 | 3.88 |
| | | | Sensible | 1.95 | 1.44 | 1.23 | 2.76 | 2.10 | 1.51 | 3.24 | 2.52 | 1.93 | 5.20 | 3.84 | 2.23 | 6.36 | 5.25 | 2.82 |
| | 7 | 9 | Total | 1.72 | 1.30 | 1.17 | 2.98 | 2.25 | 1.67 | 2.36 | 1.88 | 1.44 | 5.44 | 3.74 | 1.91 | 6.87 | 5.87 | 2.56 |
| | | | Sensible | 1.68 | 1.25 | 1.09 | 2.38 | 1.79 | 1.30 | 2.32 | 1.83 | 1.41 | 4.46 | 3.15 | 1.72 | 5.55 | 4.57 | 2.21 |
| | 9 | 3 | Total | 3.17 | 2.41 | 2.08 | 4.30 | 3.40 | 2.55 | 5.46 | 4.40 | 3.60 | 8.53 | 6.49 | 4.11 | 10.23 | 8.61 | 4.92 |
| | | | Sensible | 2.30 | 1.71 | 1.45 | 2.99 | 2.31 | 1.68 | 3.84 | 3.01 | 2.44 | 5.75 | 4.32 | 2.71 | 6.95 | 5.71 | 3.25 |
| | 9 | 5 | Total | 2.41 | 1.82 | 1.60 | 3.71 | 2.91 | 2.17 | 4.40 | 3.53 | 2.81 | 7.16 | 5.41 | 3.27 | 8.66 | 7.32 | 4.02 |
| | | | Sensible | 2.02 | 1.49 | 1.26 | 2.73 | 2.10 | 1.52 | 3.39 | 2.64 | 2.11 | 5.18 | 3.87 | 2.36 | 6.30 | 5.18 | 2.88 |
| | 9 | 7 | Total | 1.80 | 1.36 | 1.20 | 3.05 | 2.29 | 1.71 | 3.00 | 2.28 | 1.71 | 5.63 | 4.10 | 2.17 | 6.96 | 5.91 | 2.83 |
| | | | Sensible | 1.74 | 1.29 | 1.11 | 2.43 | 1.82 | 1.32 | 2.74 | 2.07 | 1.60 | 4.55 | 3.34 | 1.88 | 5.60 | 4.60 | 2.37 |
| | 9 | 9 | Total | 1.47 | 1.10 | 0.98 | 2.19 | 1.62 | 1.19 | 1.83 | 1.46 | 1.16 | 4.02 | 2.74 | 1.46 | 5.19 | 4.43 | 1.91 |
| | | | Sensible | 1.47 | 1.10 | 0.98 | 1.99 | 1.48 | 1.08 | 1.83 | 1.46 | 1.16 | 3.73 | 2.57 | 1.43 | 4.75 | 3.94 | 1.82 |
| | 11 | 3 | Total | 2.52 | 1.92 | 1.67 | 3.52 | 2.79 | 2.09 | 4.44 | 3.59 | 2.92 | 6.96 | 5.29 | 3.34 | 8.36 | 7.06 | 4.01 |
| | | | Sensible | 2.06 | 1.52 | 1.29 | 2.66 | 2.06 | 1.49 | 3.42 | 2.68 | 2.16 | 5.12 | 3.83 | 2.40 | 6.20 | 5.08 | 2.88 |
| | 11 | 5 | Total | 1.87 | 1.40 | 1.22 | 2.95 | 2.30 | 1.70 | 3.36 | 2.68 | 2.10 | 5.64 | 4.19 | 2.46 | 6.82 | 5.81 | 3.08 |
| | | | Sensible | 1.79 | 1.32 | 1.13 | 2.41 | 1.84 | 1.32 | 2.94 | 2.29 | 1.81 | 4.58 | 3.38 | 2.04 | 5.57 | 4.57 | 2.50 |
| | 11 | 7 | Total | 1.52 | 1.13 | 1.00 | 2.21 | 1.66 | 1.23 | 2.18 | 1.70 | 1.31 | 4.22 | 3.00 | 1.61 | 5.28 | 4.47 | 2.06 |
| | | | Sensible | 1.52 | 1.13 | 1.00 | 2.02 | 1.52 | 1.11 | 2.18 | 1.69 | 1.31 | 3.91 | 2.79 | 1.54 | 4.84 | 3.98 | 1.95 |
| | 11 | 9 | Total | 1.19 | 0.90 | 0.81 | 1.64 | 1.19 | 0.92 | 1.31 | 1.11 | 0.94 | 2.93 | 2.06 | 1.13 | 3.97 | 3.23 | 1.45 |
| | | | Sensible | 1.19 | 0.90 | 0.81 | 1.62 | 1.19 | 0.90 | 1.31 | 1.11 | 0.94 | 2.91 | 2.06 | 1.13 | 3.89 | 3.11 | 1.45 |
| | 13 | 3 | Total | 1.90 | 1.43 | 1.22 | 2.77 | 2.17 | 1.63 | 3.44 | 2.77 | 2.24 | 5.41 | 4.10 | 2.55 | 6.51 | 5.50 | 3.10 |
| | | | Sensible | 1.82 | 1.34 | 1.13 | 2.35 | 1.80 | 1.31 | 3.01 | 2.34 | 1.88 | 4.51 | 3.36 | 2.09 | 5.47 | 4.47 | 2.52 |
| | 13 | 5 | Total | 1.55 | 1.15 | 1.00 | 2.20 | 1.66 | 1.22 | 2.52 | 1.95 | 1.48 | 4.22 | 3.11 | 1.73 | 5.20 | 4.37 | 2.26 |
| | | | Sensible | 1.55 | 1.15 | 1.00 | 2.06 | 1.54 | 1.11 | 2.48 | 1.91 | 1.46 | 3.95 | 2.90 | 1.65 | 4.85 | 3.97 | 2.12 |
| | 13 | 7 | Total | 1.24 | 0.93 | 0.82 | 1.67 | 1.24 | 0.91 | 1.66 | 1.30 | 1.01 | 3.25 | 2.20 | 1.23 | 4.09 | 3.43 | 1.57 |
| | | | Sensible | 1.24 | 0.93 | 0.82 | 1.66 | 1.24 | 0.90 | 1.66 | 1.30 | 1.01 | 3.22 | 2.20 | 1.23 | 4.03 | 3.33 | 1.57 |
| | 13 | 9 | Total | 0.91 | 0.69 | 0.63 | 1.24 | 0.92 | 0.71 | 0.92 | 0.85 | 0.72 | 2.17 | 1.51 | 0.87 | 2.83 | 2.39 | 1.06 |
| | | | Sensible | 0.91 | 0.69 | 0.63 | 1.24 | 0.92 | 0.71 | 0.92 | 0.85 | 0.72 | 2.17 | 1.51 | 0.87 | 2.83 | 2.39 | 1.06 |

EAT : Entering Air temperature °C
EWT : Entering Water Temperature °C

ΔT : water rise temperature °C
WB : Wet bulb

DB : Dry bulb

HEATING CAPACITIES IN kW , 4 PIPES

| EAT | EWT | ΔT | Size | 61 AC | | | 62AC | | | 63 AC | | | 93 AC | | | 94 AC | | |
|-----|-----|----|---------|-------|------|------|------|------|------|-------|------|------|-------|-------|------|-------|-------|------|
| | | | Speed | 1 | 2 | 3 | 1 | 2 | 3 | 1 | 2 | 3 | 1 | 2 | 3 | 1 | 2 | 3 |
| | | | Size | 61 AC | | | 62AC | | | 63 AC | | | 93 AC | | | 94 AC | | |
| | | | Voltage | 10 V | 6 V | 2 V | 10 V | 6 V | 2 V | 10 V | 6 V | 2 V | 10 V | 6 V | 2 V | 10 V | 6 V | 2 V |
| 19 | 50 | 5 | Totale | 1.21 | 0.92 | 0.79 | 4.10 | 3.28 | 2.31 | 4.39 | 3.73 | 3.21 | 7.33 | 5.67 | 3.82 | 9.24 | 7.32 | 4.64 |
| | 50 | 10 | Totale | 1.01 | 0.77 | 0.67 | 2.79 | 2.24 | 1.51 | 2.87 | 2.57 | 2.21 | 5.89 | 4.58 | 3.13 | 7.55 | 6.01 | 3.88 |
| | 60 | 5 | Totale | 1.67 | 1.26 | 1.08 | 5.89 | 4.67 | 3.26 | 6.36 | 5.34 | 4.56 | 10.22 | 7.87 | 5.26 | 12.86 | 10.16 | 6.39 |
| | 60 | 10 | Totale | 1.48 | 1.13 | 0.97 | 4.72 | 3.83 | 2.68 | 4.99 | 4.33 | 3.75 | 8.86 | 6.89 | 4.66 | 11.21 | 8.91 | 5.71 |
| | 70 | 5 | Totale | 2.13 | 1.61 | 1.38 | 7.69 | 6.06 | 4.22 | 8.35 | 6.96 | 5.91 | 13.11 | 10.07 | 6.70 | 16.47 | 13.00 | 8.13 |
| | 70 | 10 | Totale | 1.95 | 1.47 | 1.27 | 6.54 | 5.24 | 3.69 | 6.99 | 5.96 | 5.13 | 11.78 | 9.12 | 6.14 | 14.87 | 11.78 | 7.48 |
| | 80 | 5 | Totale | 2.60 | 1.96 | 1.68 | 9.49 | 7.45 | 5.17 | 10.34 | 8.58 | 7.27 | 16.00 | 12.27 | 8.14 | 20.09 | 15.84 | 9.86 |
| | 80 | 10 | Totale | 2.41 | 1.82 | 1.57 | 8.36 | 6.65 | 4.66 | 8.99 | 7.60 | 6.51 | 14.70 | 11.34 | 7.60 | 18.52 | 14.65 | 9.23 |
| 20 | 50 | 5 | Totale | 1.16 | 0.88 | 0.76 | 3.93 | 3.14 | 2.21 | 4.20 | 3.58 | 3.08 | 7.05 | 5.45 | 3.67 | 8.89 | 7.04 | 4.47 |
| | 50 | 10 | Totale | 0.97 | 0.74 | 0.64 | 2.61 | 2.08 | 1.42 | 2.68 | 2.38 | 2.05 | 5.60 | 4.35 | 2.98 | 7.20 | 5.72 | 3.70 |
| | 60 | 5 | Totale | 1.63 | 1.23 | 1.05 | 5.72 | 4.53 | 3.17 | 6.17 | 5.19 | 4.43 | 9.93 | 7.65 | 5.12 | 12.50 | 9.88 | 6.21 |
| | 60 | 10 | Totale | 1.44 | 1.09 | 0.94 | 4.56 | 3.69 | 2.58 | 4.81 | 4.18 | 3.61 | 8.58 | 6.68 | 4.52 | 10.86 | 8.63 | 5.54 |
| | 70 | 5 | Totale | 2.09 | 1.58 | 1.35 | 7.52 | 5.92 | 4.12 | 8.16 | 6.80 | 5.78 | 12.82 | 9.85 | 6.56 | 16.11 | 12.72 | 7.95 |
| | 70 | 10 | Totale | 1.90 | 1.44 | 1.24 | 6.37 | 5.10 | 3.60 | 6.80 | 5.80 | 5.00 | 11.50 | 8.90 | 6.00 | 14.51 | 11.50 | 7.30 |
| | 80 | 5 | Totale | 2.55 | 1.92 | 1.65 | 9.32 | 7.31 | 5.08 | 10.15 | 8.42 | 7.14 | 15.71 | 12.05 | 8.00 | 19.73 | 15.55 | 6.69 |
| | 80 | 10 | Totale | 2.37 | 1.79 | 1.54 | 8.19 | 6.52 | 4.57 | 8.81 | 7.44 | 6.37 | 14.42 | 11.12 | 7.45 | 18.16 | 14.36 | 9.05 |
| 21 | 50 | 5 | Totale | 1.12 | 0.85 | 0.73 | 3.75 | 3.01 | 2.12 | 4.02 | 3.42 | 2.95 | 6.76 | 5.24 | 3.53 | 8.53 | 6.76 | 4.30 |
| | 50 | 10 | Totale | 0.92 | 0.71 | 0.61 | 2.40 | 1.92 | 1.34 | 2.45 | 2.19 | 1.89 | 5.30 | 4.13 | 2.83 | 6.84 | 5.43 | 3.52 |
| | 60 | 5 | Totale | 1.58 | 1.19 | 1.03 | 5.54 | 4.40 | 3.07 | 5.98 | 5.03 | 4.30 | 9.65 | 7.43 | 4.97 | 12.14 | 9.60 | 6.04 |
| | 60 | 10 | Totale | 1.39 | 1.06 | 0.91 | 4.39 | 3.55 | 2.48 | 4.63 | 4.03 | 3.48 | 8.30 | 6.46 | 4.37 | 10.50 | 8.35 | 5.36 |
| | 70 | 5 | Totale | 2.04 | 1.54 | 1.32 | 7.34 | 5.79 | 4.03 | 7.96 | 6.65 | 5.65 | 12.54 | 9.63 | 6.41 | 15.75 | 12.43 | 7.77 |
| | 70 | 10 | Totale | 1.86 | 1.41 | 1.21 | 6.20 | 4.97 | 3.51 | 6.62 | 5.65 | 4.87 | 11.22 | 8.68 | 5.86 | 14.15 | 11.22 | 7.13 |
| | 80 | 5 | Totale | 2.50 | 1.89 | 1.62 | 9.14 | 7.18 | 4.98 | 9.96 | 8.26 | 7.00 | 15.42 | 11.83 | 7.85 | 19.37 | 15.27 | 9.51 |
| | 80 | 10 | Totale | 2.32 | 1.76 | 1.51 | 8.01 | 6.38 | 4.47 | 8.62 | 7.29 | 6.24 | 14.13 | 10.90 | 7.31 | 17.80 | 14.08 | 8.88 |

EAT : Entering Air temperature °C
 EWT : Entering Water Temperature °C

ΔT : water rise temperature °C

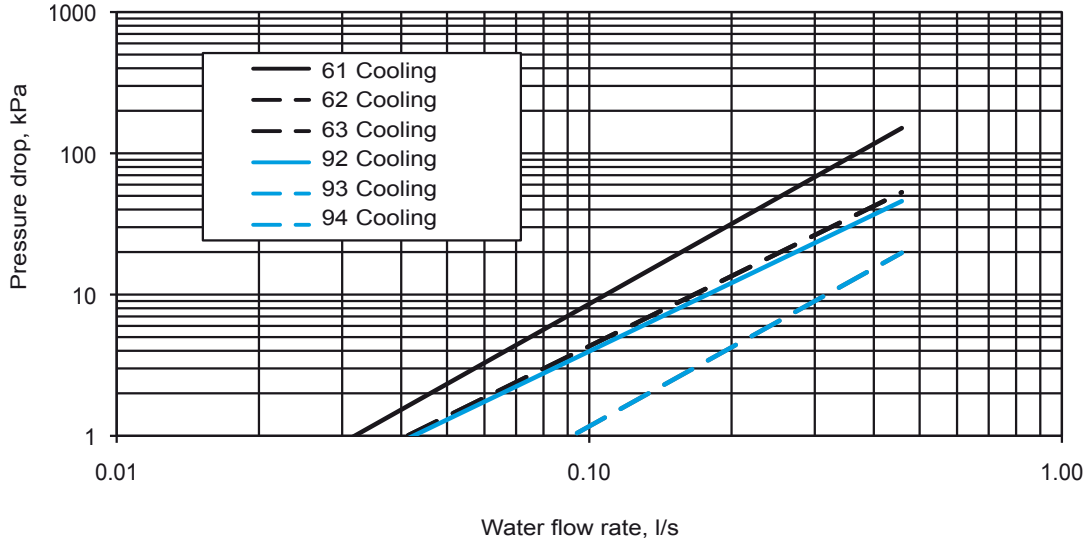
ACOUSTIC DATA

| Size | AC motor | HEE motor | Frequencies Level (Hz) / Levels per octave (dB Lin) | | | | | TOTAL LEVEL | | |
|-----------|----------|-------------|---|--------|--------|---------|---------|-------------|----------|----------|
| | Speed | Voltage (V) | 125 Hz | 250 Hz | 500 Hz | 1000 Hz | 2000 Hz | Lw dB(A) | Lp dB(A) | NR dB(A) |
| 61 AC/HEE | 1 | 10 | 50 | 51 | 49 | 43 | 34 | 49 | 40 | 35 |
| | 2 | 6 | 43 | 44 | 40 | 30 | 23 | 40 | 31 | 26 |
| | 3 | 2 | 40 | 38 | 37 | 25 | 20 | 36 | 27 | 22 |
| 62 AC/HEE | 1 | 10 | 55 | 54 | 53 | 48 | 40 | 53 | 44 | 39 |
| | 2 | 6 | 45 | 46 | 44 | 37 | 30 | 44 | 35 | 30 |
| | 3 | 2 | 38 | 38 | 33 | 27 | 26 | 35 | 26 | 21 |
| 63 AC/HEE | 1 | 10 | 60 | 56 | 56 | 52 | 44 | 57 | 48 | 43 |
| | 2 | 6 | 52 | 50 | 48 | 42 | 34 | 48 | 39 | 34 |
| | 3 | 2 | 46 | 44 | 42 | 35 | 28 | 42 | 33 | 28 |
| 92 AC/HEE | 1 | 10 | 52 | 53 | 48 | 41 | 32 | 49 | 40 | 35 |
| | 2 | 6 | 44 | 44 | 39 | 33 | 24 | 40 | 31 | 26 |
| | 3 | 2 | 41 | 39 | 33 | 28 | 21 | 35 | 26 | 21 |
| 93 AC/HEE | 1 | 10 | 55 | 57 | 52 | 47 | 40 | 54 | 45 | 40 |
| | 2 | 6 | 49 | 50 | 45 | 39 | 32 | 46 | 37 | 32 |
| | 3 | 2 | 46 | 41 | 34 | 29 | 27 | 38 | 29 | 24 |
| 94 AC | 1 | | 63 | 61 | 58 | 53 | 47 | 59 | 50 | 45 |
| | 2 | | 55 | 56 | 51 | 45 | 38 | 52 | 43 | 38 |
| | 3 | | 47 | 44 | 38 | 31 | 28 | 40 | 31 | 26 |
| 94 HEE | | 10 | 61 | 63 | 60 | 55 | 49 | 61 | 52 | 47 |
| | | 6 | 55 | 56 | 51 | 45 | 38 | 52 | 43 | 38 |
| | | 2 | 47 | 44 | 38 | 31 | 28 | 40 | 31 | 26 |

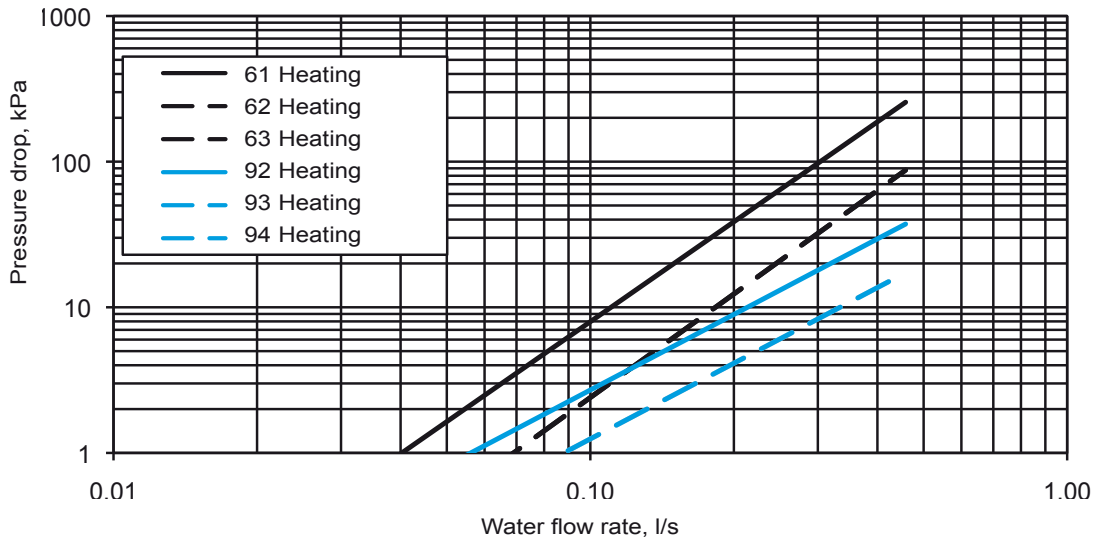
Sound pressure level and NR values are based on a hypothetical sound attenuation for the room of - 9dB(A)

COIL PRESSURE DROPS

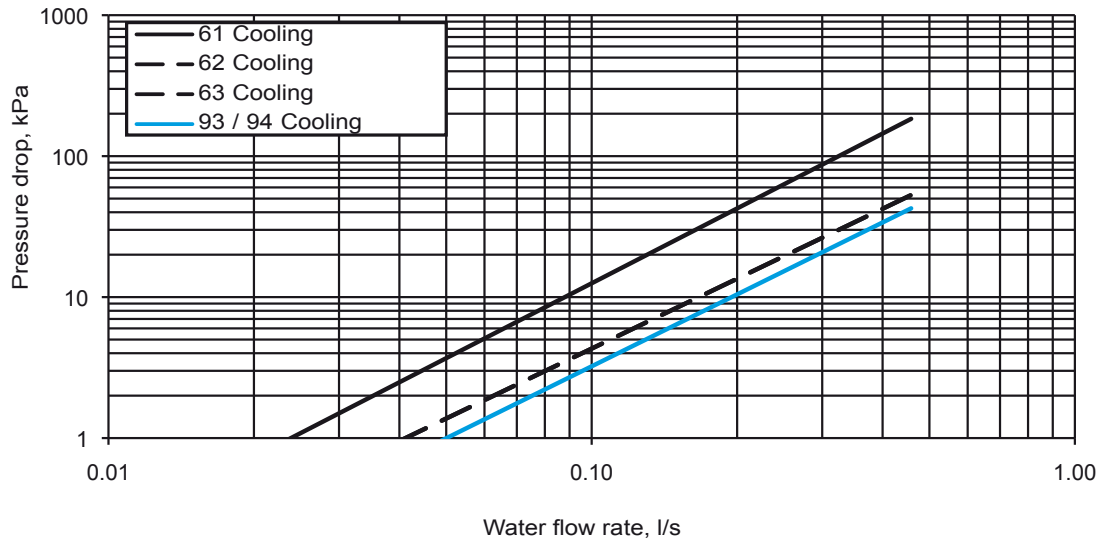
Two-pipe, Cooling



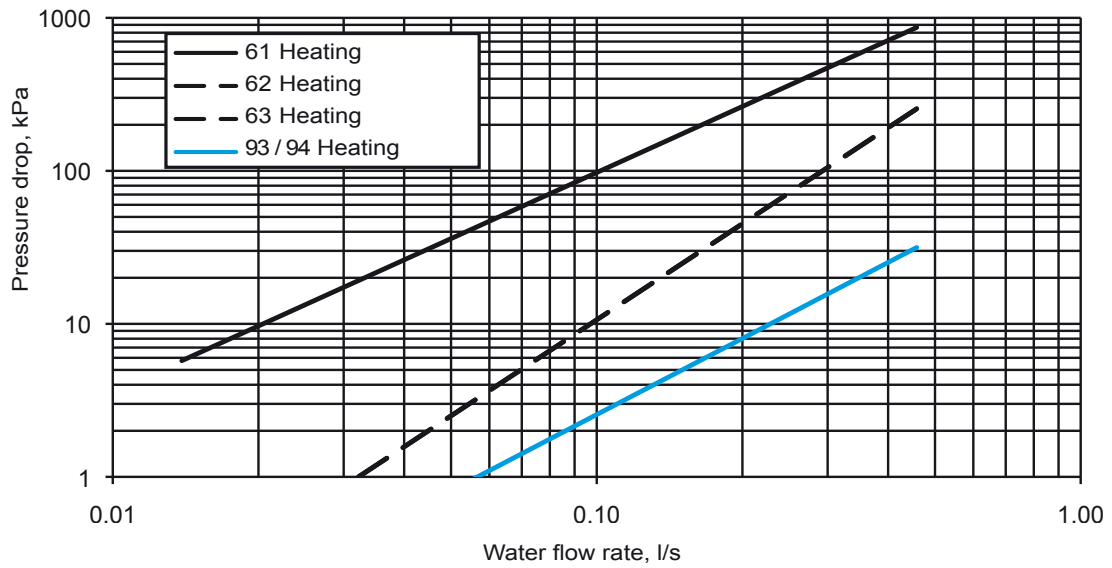
Two-pipe, Heating



Four-pipe units, Cooling



Four-pipe units, Heating



AIR THROW, M

| MELDOY2 | Louvres all open | | |
|---------|------------------|--------------|-----------|
| | High speed | Medium speed | Low speed |
| 61 | 3.8 | 3.2 | 2.7 |
| 62 | 4.0 | 3.4 | 2.8 |
| 63 | 4.8 | 4.1 | 3.4 |
| 92 | 3.0 | 2.6 | 2.1 |
| 93 | 3.4 | 2.9 | 2.4 |
| 94 | 4.3 | 3.7 | 3.0 |

Notes:

1. The louvres were adjusted to use the Coanda effect to obtain an air flow pattern that adheres as closely as possible and parallel to the ceiling.
2. The air throw is defined as the distance at which air flow speed falls to 02 m/s, when the air flow leaves the unit parallel to the ceiling.
3. The values are to be considered as indicative, as they may vary according to the type of ceiling, room dimensions and even the furniture used.

OPERATING LIMITS

| | | |
|--------------------|--|---|
| Water circuit | Maximum water-side pressure: 1400 kPa (142 m WG) | Minimum entering water temperature: 5°C |
| | | Maximum entering water temperature: 80°C |
| Indoor temperature | | Minimum temperature: 5°C |
| | | Maximum temperature: 32°C for units with electric heaters |
| Power supply | Nominal operating limits | 230 V - 1 ph - 50/60 Hz |
| | | Min.207 - Max253 V for units without electric heaters |
| | | Min.216 - Max244 V for units with electric heaters |

This document is non-contractual. As part of its policy of continual product improvement, CIAT reserves the right to make any technical modification it feels appropriate without prior notification.

Head office

700 Avenue Jean Falconnier - B.P. 14
 01350 - Culoz - France
 Tel.: +33 (0)4 79 42 42 42
 Fax: +33 (0)4 79 42 42 10
 info@ciat.fr - www.ciat.com

