

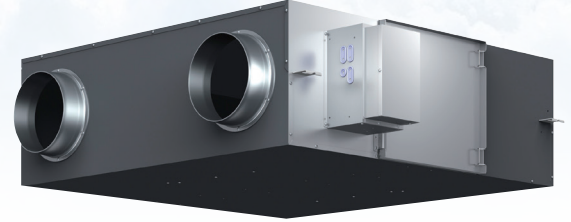
Toshiba Air Conditioning - Air-to-Air Heat Exchanger Data Sheet

VN-M350HE

Standard Heat Exchanger

Features

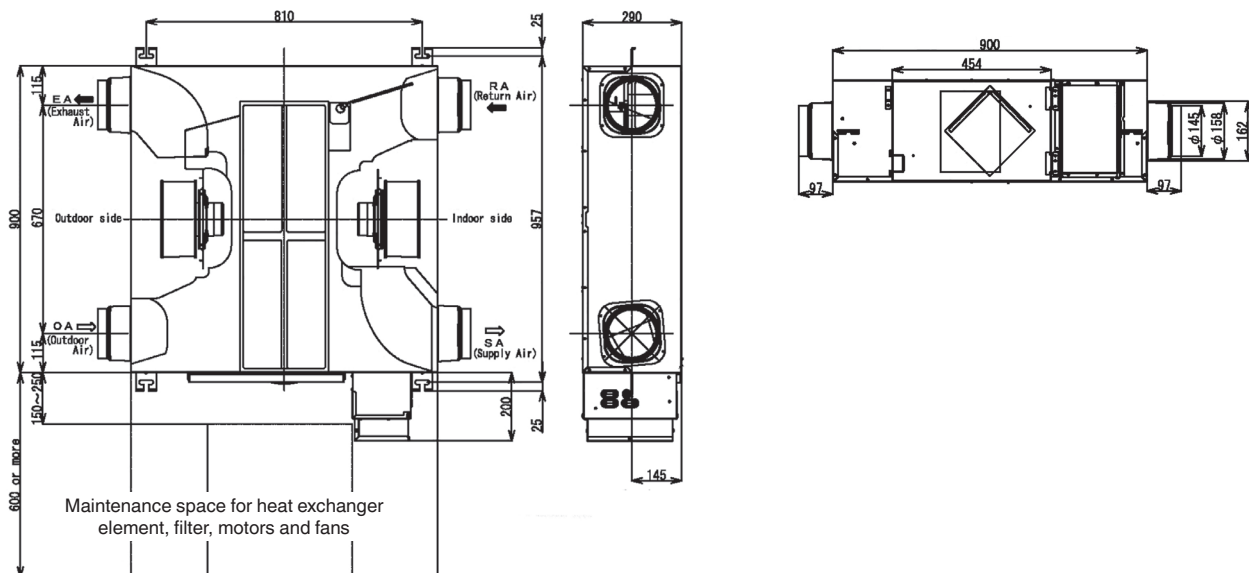
- Automatic changeover
- Recovery up to 83% of heat loss
- Air balance volume rate can be varied
- Free cooling when ambient temperature is lower than internal temperature
- Compatible with standard TCC link controls



Technical Data

Model reference		VN-M350HE
Temperature exchange efficiency (EH/H/L)	%	74.5/74.5/79.5
Enthalpy exchange efficiency - cooling (EH/H/L)	%	60.5/60.5/67
Enthalpy exchange efficiency - heating (EH/H/L)	%	65/65/71.5
Sound pressure (EH/H/L)	dB(A)	35/32/29
Power consumption (EH/H/L)	W	182/145/88
Maximum running current	A	0.76
Suggested fuse size	A	6
External static pressure (EH/H/L)	Pa	125/83/94
Dimensions (W x D x H)	mm	900 x 900 x 290
Weight	kg	38
Power supply	V-ph-Hz	220/240-1-50
Duct diameter	mm	150
Operating range - around unit	°C	-10 to 40, RH ≤ 80%
Operating range - outdoor air	°C	-15 to 43, RH ≤ 80%
Operating range - return air	°C	5 to 40, RH ≤ 80%

Dimensional Drawings



Cool Designs Ltd

Raising the Standards in Air Conditioning Distribution

www.cdlweb.info

