

Toshiba Air Conditioning - RAV-GP Data Sheet

RAV-GP801AT-E Outdoor Unit

Features

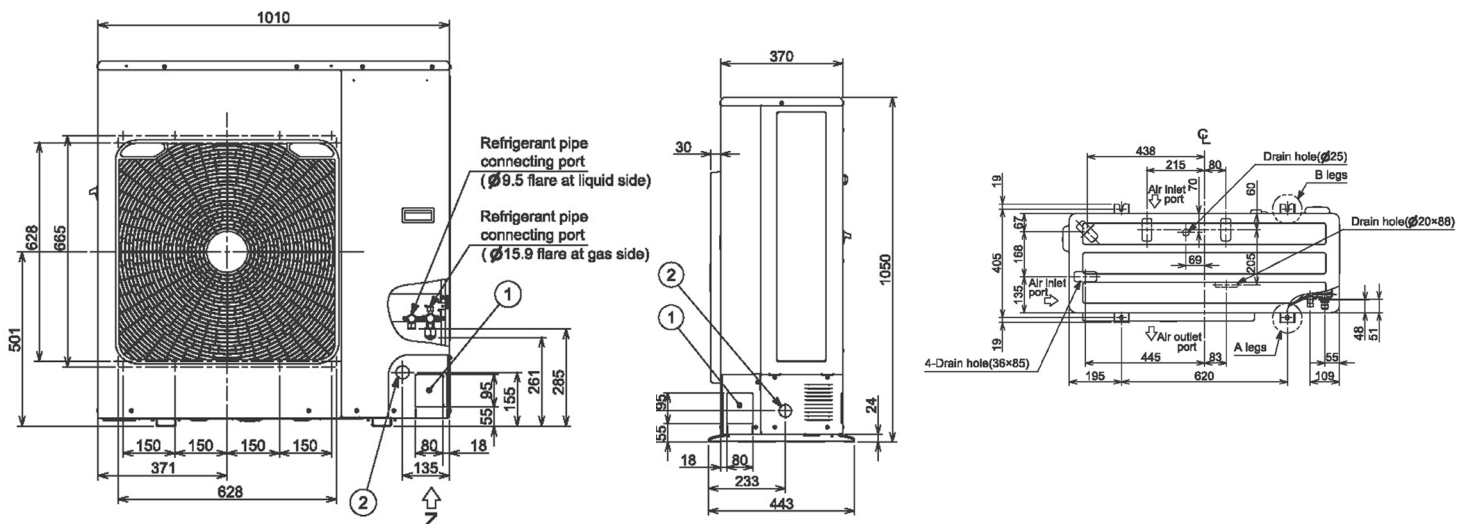
- Redesigned for use with refrigerant R32
- Wide operating range (cooling mode -15°C to +52°C)
- Auto-diagnostic function
- Flexible, can be utilised for single, twin, triple indoor applications
- Compact size



Technical Data

Model reference		RAV-GP801AT-E	
Nominal	Cooling Capacity	kW	7.1
	Heating Capacity	kW	8.0
Operating Range	Cooling/Heating	°C	-15 to 52/-27 to 15
Air Flow	High	m ³ /h - l/s	3180 - 883
Sound	Pressure High Cooling/Heating	dB(A)	46/48
	Power High Cooling/Heating	dB(A)	63/65
Unit	Height x Width x Depth	mm	1050 x 1010 x 370
	Weight	kg	74
Pipe Connection	Flare Connections (gas - liquid)	inch	5/8 - 3/8
	Min.-Max. Length	m	3-50
	Maximum Height Difference	m	±30
	Drain Port Connection	mm	16
Refrigerant R32	Base Charge/Chargeless Length	kg/m	1.9/30
	Additional Charge Liquid Side	g/m	35
Run Current	Maximum	A	7.01
Power Cable	Outdoor to Indoor		3 core + earth
Power Supply	Suggested Fuse Size	V/ph/Hz-A	220-240/1/50-16

Dimensional Drawings



Cool Designs Ltd

Raising the Standards in Air Conditioning Distribution

www.cdlweb.info

