



CIAT - STELLA High-wall air conditioner

STELLA 18HV High-wall air conditioner

Features

- Infra-red controller as standard (wired available).
- Full Wi-Fi compatibility.
- Self-clean operation and built-in Ioniser.
- Louvre position memory.
- Drain port on both sides for easy installation.
- Refrigerant leakage detection display.



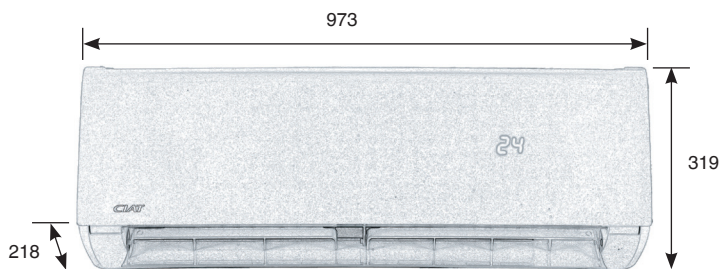
Technical Data

Model reference			STELLA - High-wall 18HV
Indoor unit			42HV18VSC
Outdoor unit			38HV18VSC
Cooling capacity	Min./nom./max.	kW	0.80/5.28/6.00
Heating capacity*	Min./nom./max.	kW	1.00/5.50/6.30
	@ -7 °C	kW	4.10
	@ -10 °C	kW	3.90
	@ -15 °C	kW	3.70
SEER		W/W	7.1
SCOP	Warmer/average	W/W	5.2/4.0
Energy label	SEER		A++
	SCOP warmer/average		A+++ / A+
Rated current		A	12.5
Rated input		kW	2.75
Power supply		V/ph/Hz	220-240/1/50
Power to			Outdoor
Interconnecting			5
Refrigerant amount	R410A	kg	1.70
Liquid side - gas side		inch	1/4 - 1/2
Standard piping length	Min./max. piping length	m	3/30
	Max. height difference	m	20
	Additional charge	g/m	15
Indoor unit			42HV18VSC
Sound power level**		dB(A)	57
Sound pressure level**	High/med./low/silence	dB(A)	42/37/35/24
Air flow	High/med./low/silence	m ³ /h	760/550/460/260
Weight		kg	11.5
Dimension	W x D x H	mm	973 x 218 x 319

* -7 °C / -10 °C / -15 °C heating at free frequency

** Sound data in cooling mode

Dimensional Drawings



Cool Designs Ltd

Raising the Standards in Air Conditioning Distribution

www.cdlweb.info





CIAT - STELLA High-wall air conditioner

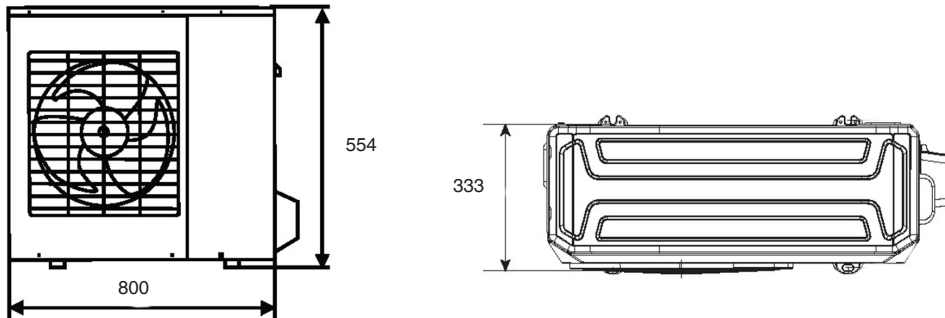
STELLA 18HV
High-wall air conditioner



Outdoor unit			38HV18VSC
Sound power level**		dB(A)	65
Sound pressure level**		dB(A)	55
Air flow		m ³ /h	2100
Weight		kg	38.0
Dimension	W x D x H	mm	800 x 333 x 554

** Sound data in cooling mode

Dimensional Drawings



Accessories

Description	Part Number
Wired remote control for high-wall range - KJR-12- G1	7511629
Wi-Fi USB for hung wall range - WIFI USB	7511628

Split-system unit ratings are based on the following conditions:

Cooling capacities: Indoor air temperature 27°C (DB)/19°C (WB) - Outdoor air temperature 35°C (DB)/24°C (WB)

Heating capacities: Indoor air temperature 20°C (DB)/15°C (WB) - Outdoor air temperature 7°C (DB)/6°C (WB)

Cool Designs Ltd

Raising the Standards in Air Conditioning Distribution

www.cdlweb.info

