

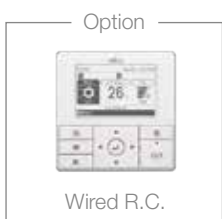
slim duct



Wired R.C.



IR Receiver Unit



Wired R.C.

Fujitsu's slim duct type air conditioning system offers quiet, efficient operation by way of either ceiling-mounted or floor-mounted units. The compact design of the units allows for easy installation and makes them ideal for situations where space is at a premium. The new duct type units also features air-flow adjustment via the remote controller and an integrated lift pump.

- Nominal cooling: 3.50kW to 5.20kW (3 models)
- High SEER / SCOP ratings
- Up to 90Pa static pressure
- Slim, compact design (198mm high)
- Horizontal or vertical installation

Specifications

	Indoor	ARYG12LLTB	ARYG14LLTB	ARYG18LLTB
	Outdoor	AOYG12LALL	AOYG14LALL	AOYG18LALL
Nominal Capacity (kW)	Cooling	3.50 (0.90-4.40)	4.30 (0.90-5.40)	5.20 (0.90-5.90)
	Heating	4.10 (0.90-5.70)	5.00 (0.90-6.50)	6.00 (0.90-7.50)
UK Total / Sensible Cooling *		3.48 / 2.47	3.97 / 2.90	4.80 / 3.45
Power Consumption (kW)	Cooling	1.05	1.33	1.62
	Heating	1.11	1.34	1.66
EER / COP (Nominal Conditions)		3.33 / 3.69	3.21 / 3.71	3.21 / 3.61
Pdesign (kW) @ -10°C	Cooling	3.50	4.30	5.20
	Heating	4.20	4.50	5.20
SEER	Cooling	5.90	5.80	6.20
SCOP	Heating (Average)	4.00	3.90	4.10
Energy Efficiency Class	Cooling	A+	A+	A++
	Heating (Average)	A+	A	A+
Annual Energy Consumption (kWh/a)	Cooling	207	259	293
	Heating	1467	1614	1774
Moisture Removal	l/h	1.30	1.50	2.00
Dimensions (HxWxD) mm	Inner	198x700x620	198x700x620	198x900x620
	Outer	578x790x300	578x790x300	578x790x300
Net Weight (kg)	Inner	19	19	23
	Outer	40	40	40
Room Air Circulation (high) m3/h	Inner	650	800	940
	Outer	1780	1910	2000
Static Pressure Range (Standard)	Pa	0 to 90 (25)	0 to 90 (25)	0 to 90 (25)
Power Supply	V-PH-Hz	230 / 1 / 50	230 / 1 / 50	230 / 1 / 50
Power Supply To		Outdoor	Outdoor	Outdoor
Running Current (A)	Cooling	4.80	6.10	7.20
	Heating	5.10	6.10	7.40
Starting Current	A	5.10	6.10	7.40
Suggested MCB/Fuse	A	16	16	16
Interconnecting Cable		3 + E	3 + E	3 + E
Remote Control Type		Wired	Wired	Wired
Sound Pressure (dB(A) Cooling)	Indoor Q/L/M/H	25 / 26 / 28 / 29	26 / 28 / 30 / 32	27 / 29 / 30 / 32
	Outdoor H	47	49	50
	Indoor H	58	60	58
Sound Power (dB(A) Cooling)	Outdoor H	61	62	62
	Indoor H	61	62	62
Max Pipe Length	m	25	25	25
Max Height Difference	m	15	15	15
Refrigerant Charge	m	15	15	15
Additional Refrigerant Charge	g/m	20	20	20
Pipe Size (inches)	Gas	3/8 (9.52mm)	1/2 (12.7mm)	1/2 (12.7mm)
	Liquid	1/4 (6.35mm)	1/4 (6.35mm)	1/4 (6.35mm)
Operating Range °CDB	Cooling	-10 ~ 46	-10 ~ 46	-10 ~ 46
	Heating	-15 ~ 24	-15 ~ 24	-15 ~ 24
Refrigerant		R410A	R410A	R410A

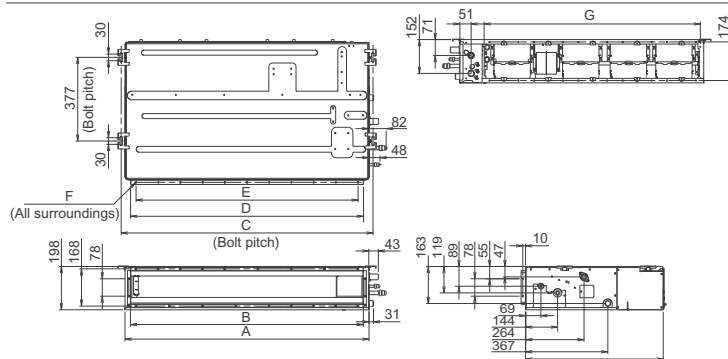
Optional Parts

Wired Remote Controller:	UTYRVNYM
Simple Remote Controller:	UTYRSNYM
IR Receiver Sensor Kit:	UTYLRYHM
Remote Sensor Unit:	UTYXSZX
Auto Louver Grille Kit:	UTDGXSAW (for ARYG12 / 14LLTB) UTDGXSBW (for ARYG18LLTB)
External Connect Kit	UTDECS5A
Modus Interface	FJRCMBS1
KNX Interface	FJRCKNX1
WiFi Interface	FJRCWIF1

* UK Cooling: indoor temperature 23°CDB / 16°CWB and outdoor temperature 30°C

Dimensions Models : ARYG12LLTB / ARYG14LLTB / ARYG18LLTB

(Unit : mm)



	ARYG12 / 14LLTB	ARYG18LLTB
A	700	900
B	650	850
C	734	934
D	650	850
E	P100x6=600	P100x8=800
F	18xØ5	22xØ5
G	574	774

The company reserves the right to make any variation in specification to the equipment described or to withdraw or replace products without prior notification or public announcement. All descriptions, illustrations, drawings and specifications in this publication present only general particulars and shall not form any part of any contract. All equipment and services are supplied subject to FG Eurofred's Terms and Conditions of Sale.

All prices shown exclude VAT.



Fujitsu air conditioning products are available from FG Eurofred and local distributors.

FUJITSU
AIR CONDITIONERS