



CIAT - MAMBO Console air conditioner

MAMBO Console 9HV Console air conditioner

Features

- Infra-red controller as standard (wired available).
- Full Wi-Fi compatibility.
- Optional 'follow me' function.
- Compact design.
- Optimised air distribution.
- Stylish and lightweight.



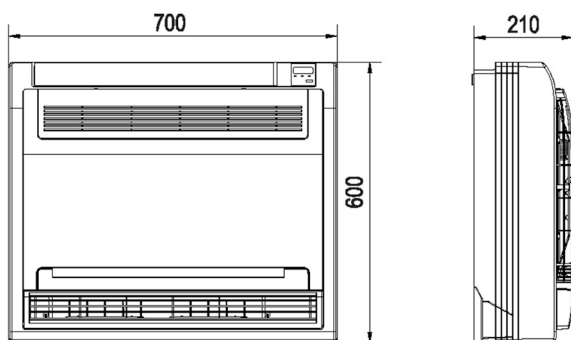
Technical Data

Model reference		MAMBO - Console 9HV	
Indoor unit		42HC09VSC	
Outdoor unit		38HU09VSC	
Cooling capacity	Min./nom./max.	kW	0.90/2.60/3.20
Heating capacity*	Min./nom./max.	kW	0.80/2.90/3.70
	@ -7 °C	kW	2.70
	@ -10 °C	kW	2.40
	@ -15 °C	kW	2.10
SEER		W/W	6.1
SCOP	Warmer/average	W/W	4.0/5.3
Energy label	SEER		A++
	SCOP warmer/average		A+/A+++
Rated current		A	10
Rated input		kW	2.30
Power supply		V/ph/Hz	220-240/1/50
Power to			Outdoor
Interconnecting			5
Refrigerant amount	R410A	kg	0.28
Liquid side - gas side		inch	1/4 - 3/8
Standard piping length	Min./max. piping length	m	3/20
	Max. height difference	m	8
	Additional charge	g/m	15
Indoor unit		42HC09VSC	
Sound power level**		dB(A)	60
Sound pressure level**	High/med./low	dB(A)	43/39/34
Air flow	High/med./low	m ³ /h	460/400/360
Weight		kg	13.5/18.0
Dimension	W x D x H	mm	700 x 600 x 210

* -7 °C/-10 °C/-15 °C heating at free frequency

** Sound data in cooling mode

Dimensional Drawings



Cool Designs Ltd

Raising the Standards in Air Conditioning Distribution

www.cdlweb.info





CIAT - MAMBO Console air conditioner

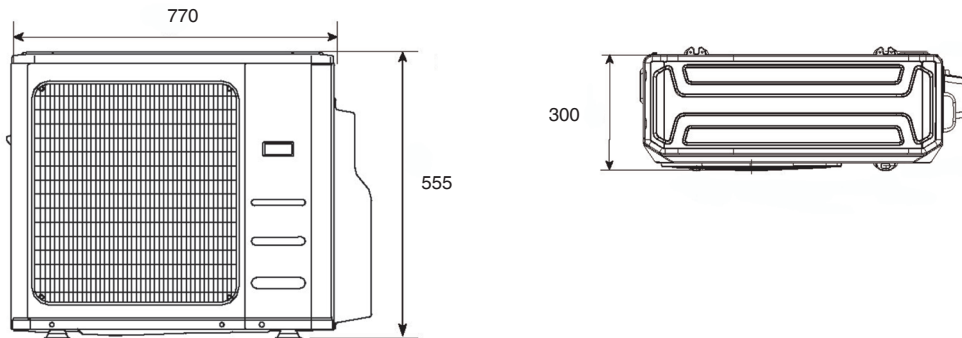
MAMBO Console 9HV
Console air conditioner



Outdoor unit			38HU09VSC
Sound power level**		dB(A)	64
Sound pressure level**		dB(A)	54
Air flow		m ³ /h	1900
Weight		kg	26.0/29.0
Dimension	W x D x H	mm	770 x 300 x 555

** Sound data in cooling mode

Dimensional Drawings



Accessories

Description	Part Number
Wired remote control for LC range - KJR-12- G2	7511630
Centralised wired remote control for LC range connectable up to 64 units - CCM-30	7511631

Split-system unit ratings are based on the following conditions:

Cooling capacities: Indoor air temperature 27°C (DB)/19°C (WB) - Outdoor air temperature 35°C (DB)/24°C (WB)

Heating capacities: Indoor air temperature 20°C (DB)/15°C (WB) - Outdoor air temperature 7°C (DB)/6°C (WB)

Cool Designs Ltd

Raising the Standards in Air Conditioning Distribution

www.cdlweb.info

