



CIAT - MAJOR LINE NCV/NCH Concealed unit

MAJOR LINE NCV/NCH Concealed unit

Features

- For cooling and/or heating.
- Available in 6 unit sizes.
- Easy unit installation and maintenance.
- One unit model for both vertical and horizontal usage.
- Highly suitable for offices and hotel rooms.
- HEE motor available as an option.



Technical Data

For cooling or heating (2-pipe)					
Unit	Cooling	Heating	Dimensions - W x D x H	Weight	Part Number
Major Line	W	W	mm	kg	
102A	1410	4440	652 x 254 x 556		7243250
102C	1800	4860	652 x 254 x 556		7243266
202A	2370	7450	812 x 254 x 556		7243290
202C	3070	8880	812 x 254 x 556		7243306
202D	3360	9290	812 x 254 x 556		7243318
302A	3530	12300	1012 x 254 x 556		7243330
302B	4280	12700	1012 x 254 x 556		7243342
302C	4910	14300	1012 x 254 x 556		7243346
402C	6480	19400	1212 x 254 x 556		7243386
502C	7650	21900	1412 x 254 x 556		7243426
602D	9970	27000	1612 x 254 x 556		7243466
For cooling and heating (4-pipe)					
Unit	Cooling	Heating	Dimensions - W x D x H	Weight	Part Number
Major Line	W	W	mm	kg	
104X	1800	1970	652 x 254 x 556	15	7243282
204X	3070	3360	812 x 254 x 556	18	7243322
304X	4910	5220	1012 x 254 x 556	22	7243362
404X	6480	7110	1212 x 254 x 556	28	7243402
504X	7650	8510	1412 x 254 x 556	32	7243442
604X	9030	10100	1612 x 254 x 556	36	7243470

All units are supplied with a G3 air filter as standard.

The above capabilities are based on Eurovent conditions. For 2-pipe unit, cooling with an air inlet temperature of 27°C/WB 19°C and a water range of 7-12°C, heating with an air inlet temperature of 20°C/50% RH and a water inlet of 50°C at high fan speed. For 4-pipe unit, cooling with an air inlet temperature of 27°C/WB 19°C and a water range of 7-12°C, heating with an air inlet temperature of 20°C/50% RH and a water range of 70-60°C at high fan speed. Alternative 2-pipe units are available with electric heating. CIAT participates in the Eurovent certification program. For a list of products and certified characteristics, please refer to www.eurovent-certification.com.

Cool Designs Ltd

Raising the Standards in Air Conditioning Distribution

www.cdlweb.info





CIAT - MAJOR LINE NCV/NCH Concealed unit

MAJOR LINE NCV/NCH Concealed unit



Available unit options

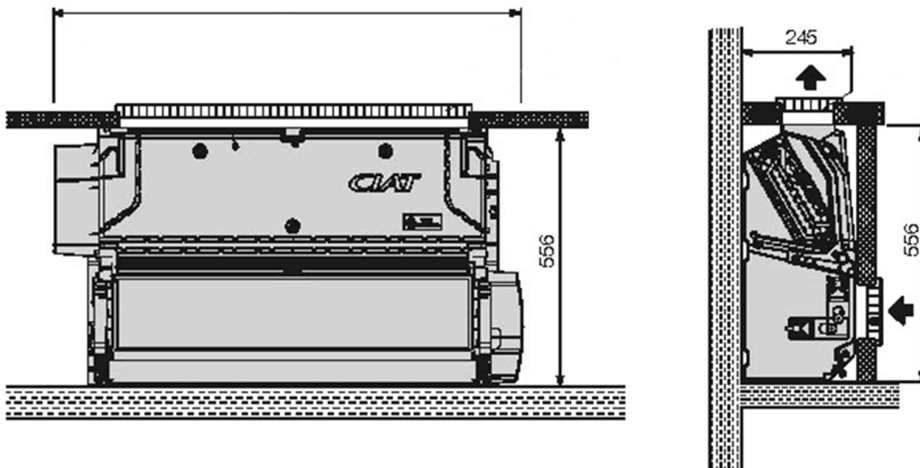
Description	Part Number
2-pipe units	
4-way water control valve*	E037567
4-way water control valve*	E037575
2-way water control valve*	E037605
2-way water control valve*	E037567
4-pipe units	
2-piece 4-way water control valve*	E037583
2-piece 4-way water control valve*	E037591
2-piece 2-way water control valve*	E037621
2-piece 2-way water control valve*	E037648

All units	
Description	Part Number
Energy-efficient HEE brushless motor	-
Condensate pump*	7203415
Wall-mounted thermostat RTR 7011/RTR 7203*	5201018/5201021
Built-in thermostat V30 (vertical cabinet installation only)	-
Set of mounting rubbers (per unit)*	Set = 4 x 0219453

* Options supplied separately. All water control valves, equipped with 230 V/1 ph/50 Hz thermal actuator (open/closed). Other arrangements on request.

Dimensional Drawings

Size 10 = 652 Size 40 = 1212
 Size 20 = 812 Size 50 = 1412
 Size 30 = 1012 Size 60 = 1612



Cool Designs Ltd

Raising the Standards in Air Conditioning Distribution

www.cdlweb.info

