

Toshiba Air Conditioning - VRF Data Sheet

MMD-AP0154SPH-E Slim ducted

Features

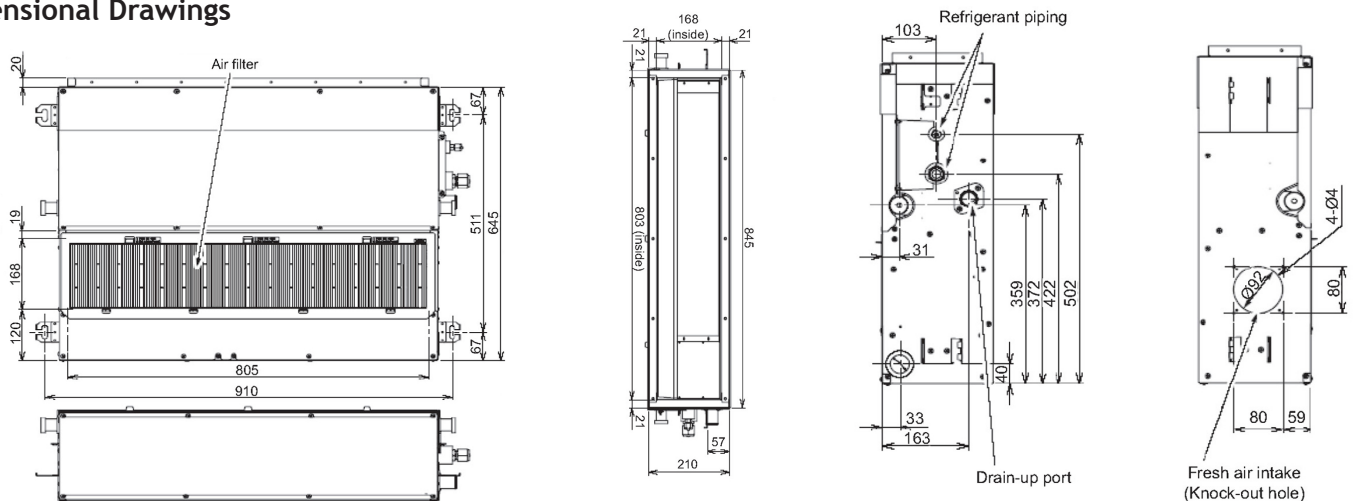
- External static pressure can be raised up to 45 Pa
- Low noise: low fan speed down to 28 dB(A)
- Fresh air intake
- Lift pump up to 550 mm lift
- Ideal for restricted ceiling voids only 210 mm high
- Base or rear return air



Technical Data

Model reference		MMD-AP0154SPH-E
Nominal cooling	kW	4.5
Nominal heating	kW	5.0
Capacity code		1.7
Power input (cool/heat)	kW	0.045
UK cooling	kW	4.33
UK sensible cooling	kW	3.24
UK heating	kW	4.05
Starting current	A	0.56
Running current	A	0.32
Suggested fuse size	A	5
Power supply	V-ph-Hz	220/240-1-50
Interconnecting cable		2-core screened 1.5 mm
Sound power H-M-L (base/rear air inlet)	dB(A)	55-52-48/47-45-43
Sound pressure H-L (base/rear air inlet)	dB(A)	39-33/32-28
Standard air flow H-L	m ³ /h	690-520
Standard air flow H-L	l/s	192-144
External static pressure (factory default)	Pa	5
Static pressure range	Pa	5-45 (4 steps)
Dimensions (H x W x D)	mm	210 x 845 x 645
Unit weight	kg	23

Dimensional Drawings



Cool Designs Ltd

Raising the Standards in Air Conditioning Distribution

www.cdlweb.info

