

Toshiba Air Conditioning - Controls Data Sheet

TCB-SC642TLE2 Central Remote Controller

Features

- Compatible with all R410A Digital/Super Digital Inverter and VRF systems*
- Can be connected to up to 512 indoor units, 64 individual units or 64 zones (8 units per zone)
- Scheduled timer can be connected to enable 7-day timer functions
- 4-pattern permit/prohibit control for restriction of local remote controller functions
- Up to 10 central controllers can be connected to a single TCC-Link line network
- External digital input/output connections for On/Off control and operation and alarm status output

* Not compatible with DI Flexi.

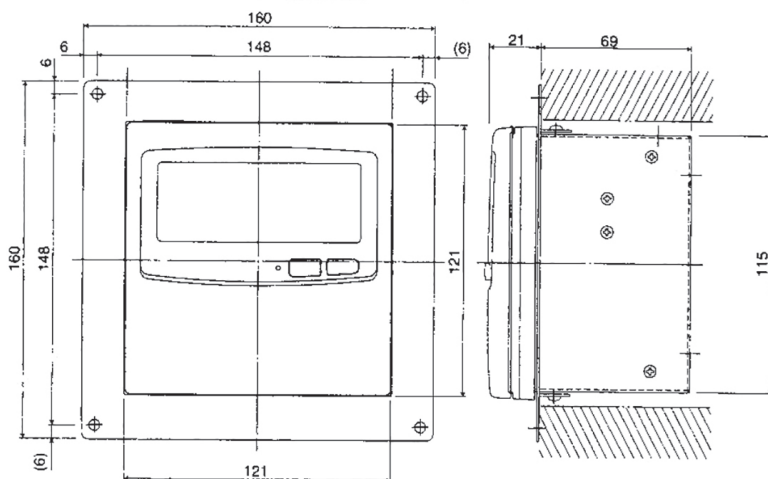


Technical Data

Model reference		TCB-SC642TLE2
Total dimensions (H x W x D)	mm	160 x 160 x 21 (90 total)
Electrical connection (low voltage)		Screw terminals
Functions	Setting	Monitor
On/Off	✓	✓
Mode	Auto, Heat, Cool, Dry, Fan Only	✓
Set point	18-29°C	✓
Fan speed	Auto, High, Medium, Low	✓
Louvre	Swing, Fix	✓
Filter display	Reset	✓
Fault code	Reset	Hexadecimal
Schedule task	Additional schedule timer required	TCB-EXS21TLE
Permit/prohibit local control functions	4-pattern permit/prohibit settings	✓

The TCB-SC642TLE2 is designed for panel mounting (panel not supplied) or semi recessing (recess box not supplied), mounting plate supplied.
Optional timer TCB-EXS21TLE connects via CN02 connector at the rear of the unit.
Fault indication is available via terminals B3-B2 at the rear of the unit

Dimensional Drawings



Cool Designs Ltd

Raising the Standards in Air Conditioning Distribution

www.cdlweb.info

